



EBARA

	Page
- SPECIFICATIONS	200
SELECTION CHART	201
TYPE KEY AND CURVE SPECIFICATIONS	202
PERFORMANCE CURVE BEST ONE	203
PERFORMANCE CURVE BEST ONE VOX	204
- CONSTRUCTIONS	300
SECTIONAL VIEW DRAWING	300
SECTIONAL VIEW TABLE	301
MECHANICAL SEAL	302
BEARINGS	302
- DIMENSIONS AND WEIGHT	400
PUMP	400
PACKING	401
- TECHNICAL DATA	500
- INSTALLATION	600
- OPTIONAL	700
MINIMUM SUCTION SYSTEM	700

SPECIFICATION

60Hz

Rev. F

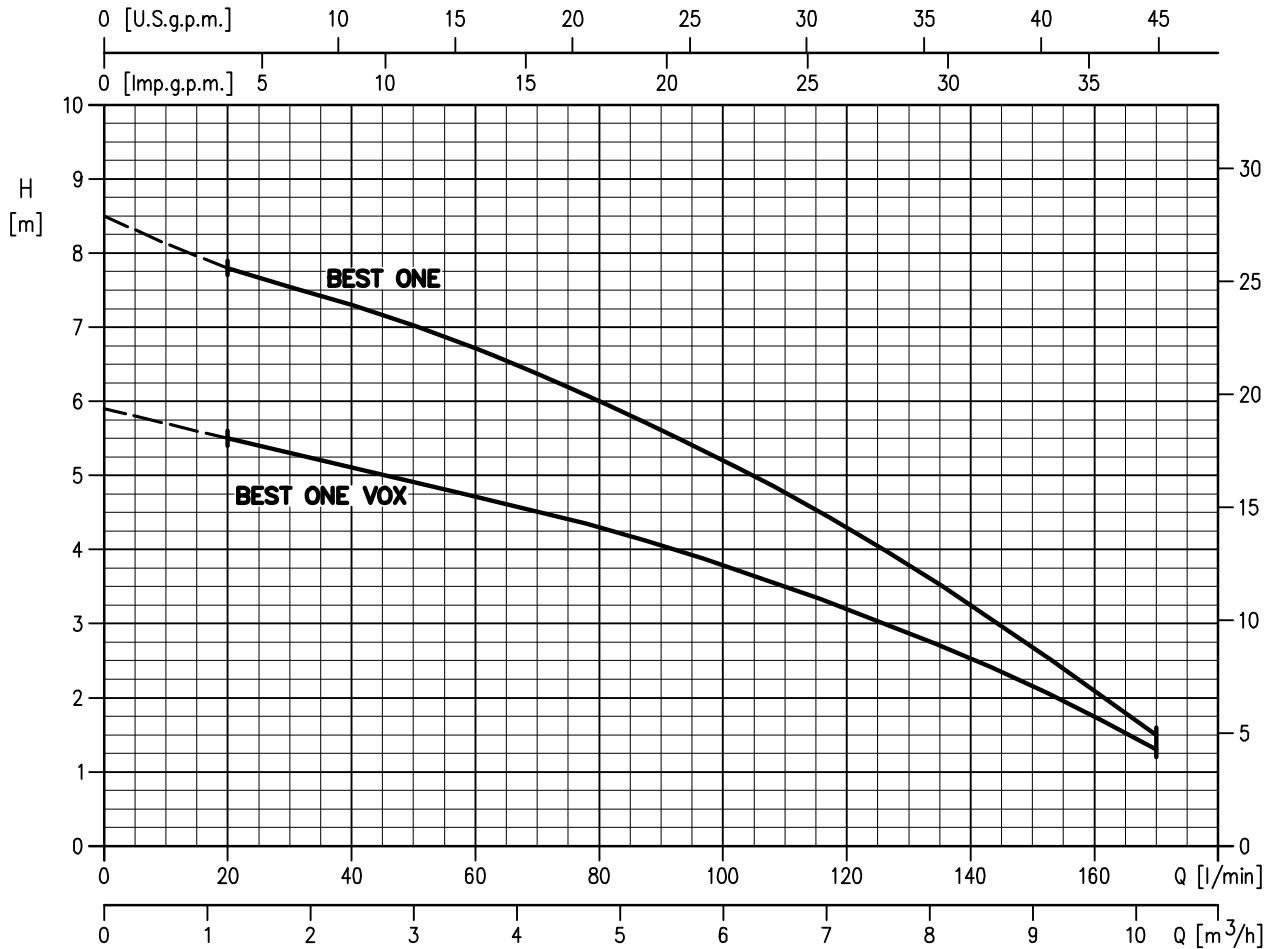
PUMP		
Liquid Handled	Type of liquid	Clear water (Clean water for MS version)
	Max temperature [°C]	50
	Max solids size [mm]	10 20 (for Vortex version)
Maximum immersion	[m]	2 (with power cable length 5 m) 5 (with power cable length 10 m)
Construction	Impeller	Semi-open centrifugal type (BEST ONE) Vortex type (BEST ONE VOX)
	Shaft seal type	Oil lubricated mechanical seal (pump side) + lip seal (motor side)
	Bearing	Sealed ball bearing
Pipe Connection	Suction	Strainer
	Discharge nozzle [inch]	G1¼": UNI ISO 228
Material	Pump casing	AISI 304
	Impeller	AISI 304
	Shaft seal	Mechanical seal: Ceramic/Carbon/NBR Lip seal: NBR
	Casing cover	AISI 304
	Shaft	AISI 303 + AISI 303 ceramic coated shaft sleeve
	Lubricating liquid	White mineral oil: Esso Marcol 152
Applicable standard of test		ISO 9906 – Annex A

MOTOR			
Type	Submersible dry type		
	Single Phase	Three Phase	
No. of Poles	2		
Rotation speed [min ⁻¹]	≈3400		
Insulation Class	F		
Protection degree	IP X8		
Power rating [kW]	0.25		
[HP]	0.33		
Frequency [Hz]	60		
Voltage [V]	110-115 ±6% 220-230 ±6%	380 -6% +10%	
Capacitor	Built in	-	
Over load protection	Built in	-	
Casing material	AISI 304		
Switch	float	MA version (no maintenance required)	
	magnetic	MS version (maintenance required)	
Float/magnetic switch cable	material	H07RN-F	
	size	3G1	
Power cable	length [m]	5 (only for internal usage); 10	
	material	H05RN-F	H07RN-F
	size	3G0.75	4G1
Cable entry	Cable Gland		

SELECTION CHART

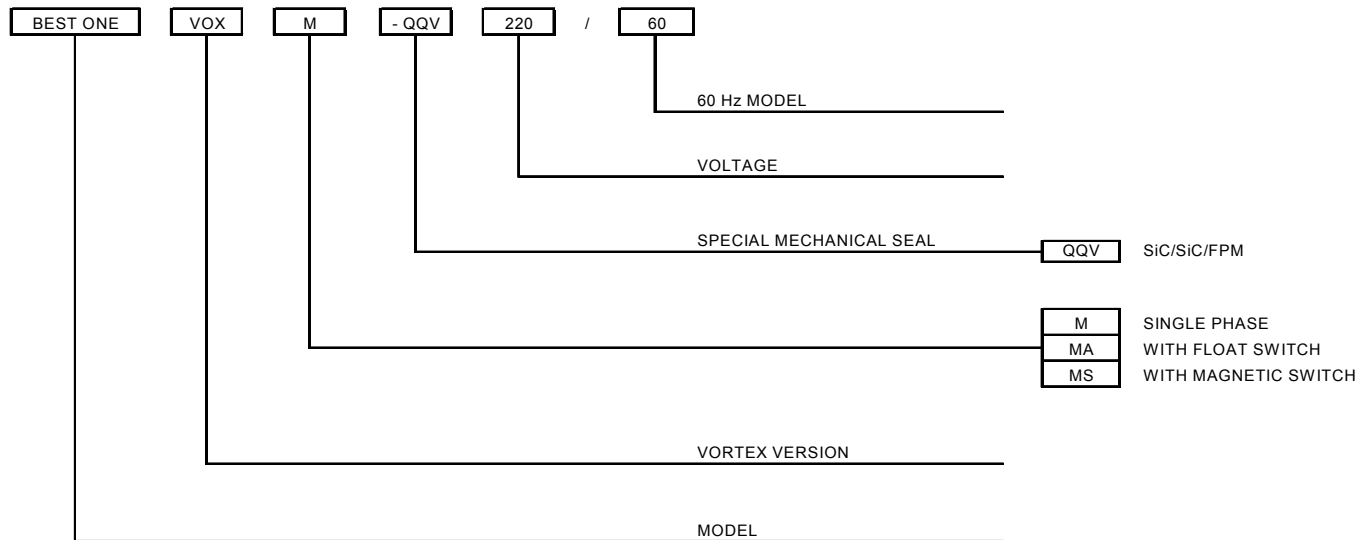
60Hz

Rev. F



Type pumps		Power		Q=Capacity							
				l/min	0	20	40	80	120	160	170
Single Phase	Three Phase	[kW]	[HP]	m³/h	0	1,2	2,4	4,8	7,2	9,6	10,2
H=Total manometric head in meters											
BEST ONE M	BEST ONE	0,25	0,33	8,5	7,8	7,3	6,0	4,3	2,1	1,5	
BEST ONE VOX M	BEST ONE VOX	0,25	0,33	5,9	5,5	5,1	4,3	3,2	1,8	1,3	

TYPE KEY



PERFORMANCE CURVE SPECIFICATIONS

The specifications below qualify the curves shown on the following pages.

Tolerances according to ISO 9906 Annex A

The curves refer to effective speed of asynchronous motors at 60 Hz

Measurements were carried out with clean water at 20°C of temperature and with a kinematic viscosity of $\nu = 1 \text{ mm}^2/\text{s}$ (1 cSt)

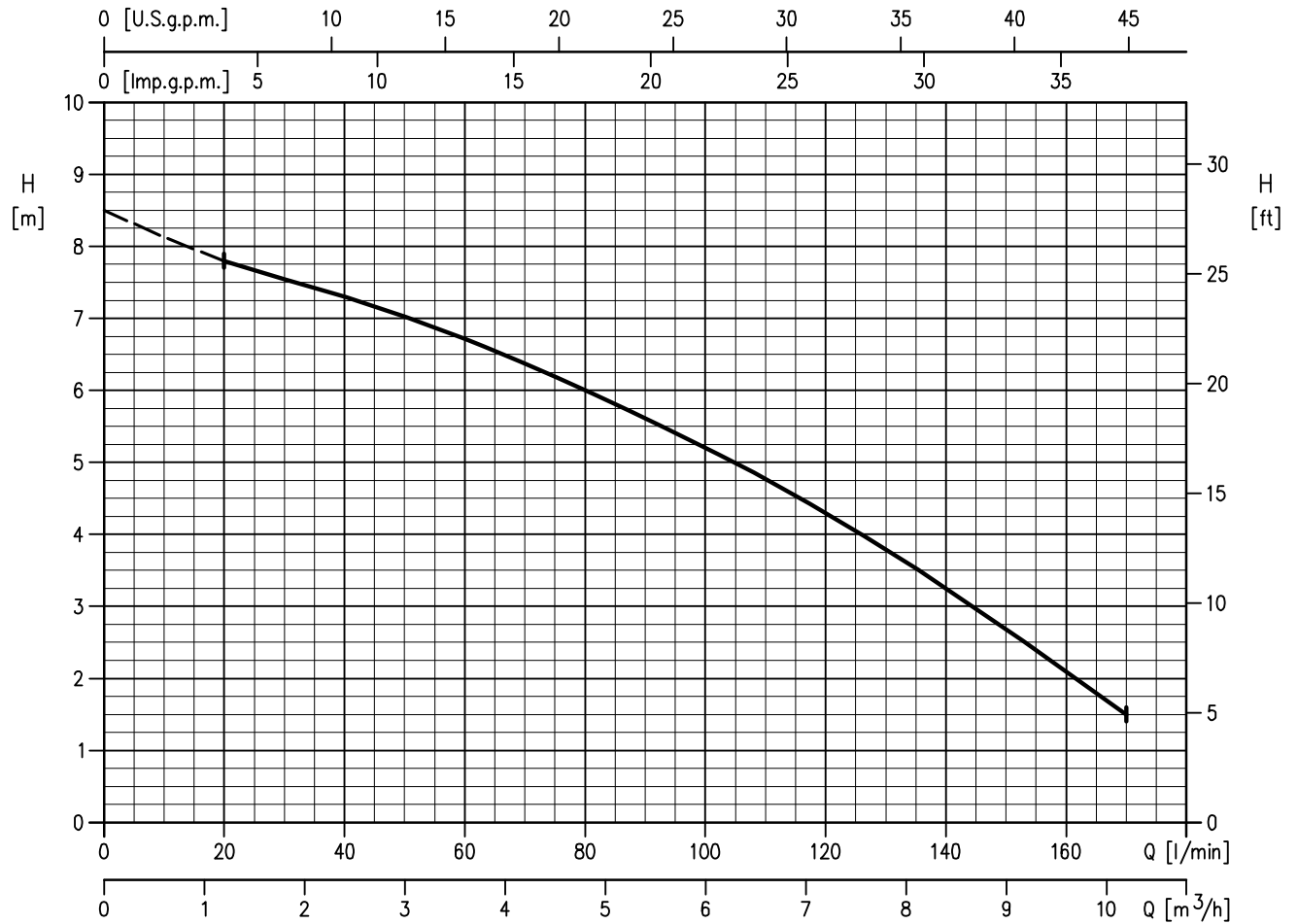
The continuous curves indicate the recommended working range. The dotted curve is only a guide.

In order to avoid the risk of over-heating, the pumps should not be used at a flow rate below 10% of best efficiency point.

Symbols explanation:

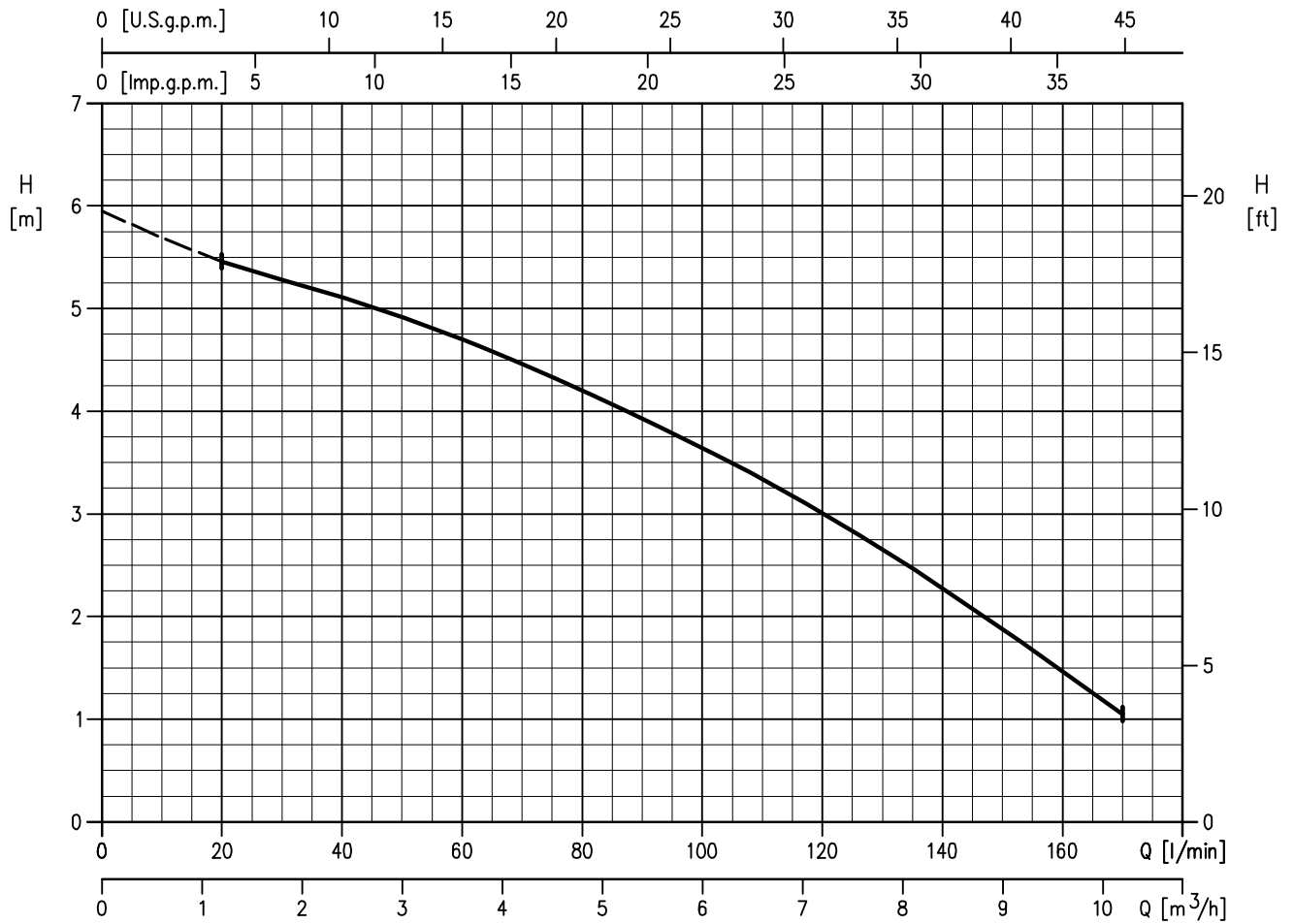
- Q = volume flow rate
- H = total head

BEST ONE



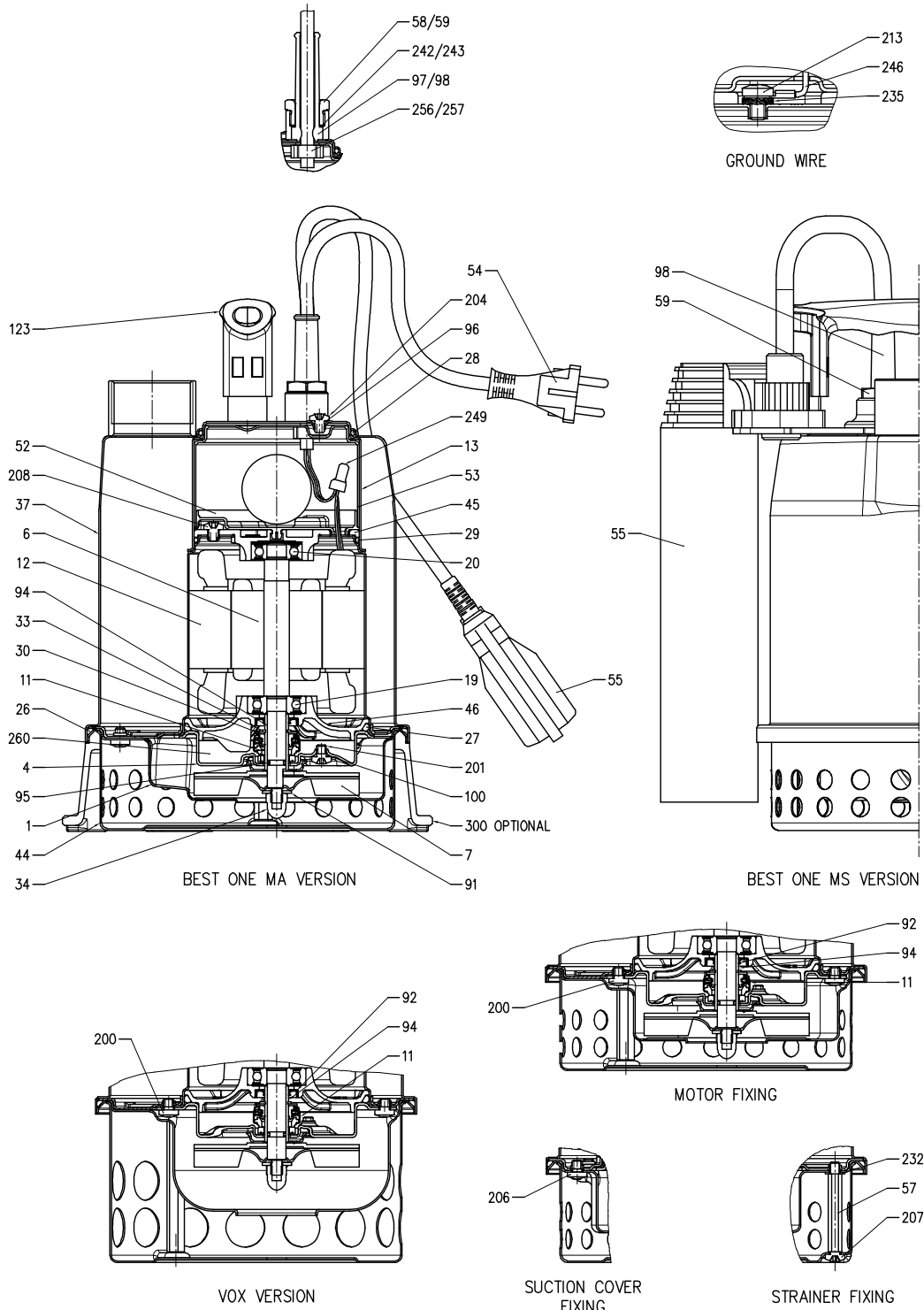
Rotation speed: $\approx 3400\text{min}^{-1}$
Test standard: ISO 9906 – Annex A

BEST ONE VOX



Rotation speed: $\approx 3400 \text{ min}^{-1}$
Test standard: ISO 9906 – Annex A

SECTIONAL VIEW



SECTIONAL VIEW TABLE

N°	PART NAME	MATERIAL	DIMENSIONS	STANDARD	Q.TY
1	Suction cover	EN 14301(AISI 304)	-	-	1
4	Casing cover	EN 14301(AISI 304)	-	-	1
6	Shaft with rotor	EN 14305 (AISI 303)	-	-	1
7	Impeller	EN 14301(AISI 304)	-	-	1
11	Mechanical seal [1]	[1]	[1]	-	1
12	Motor frame with stator	EN 14301(AISI 304)	-	-	1
13	Motor cover	EN 14301(AISI 304)	-	-	1
19	Lower ball bearing	-	-	-	1
20	Upper ball bearing	-	-	-	1
21	Adjusting ring	-	-	-	1
23	Capacitor [2]	-	-	-	1
26	O-ring	NBR	159,5x3	-	1
27	O-ring	NBR	88,5x3,53	-	1
28	O-ring	NBR	75,87x2,62	-	1
29	O-ring	NBR	75,87x2,62	-	1
30	Washer	EN 14301(AISI 304)	12x21x1	-	1
33	Seeger ring	Carbon steel TC80	12	UNI 7435	1
34	Impeller nut	A2 - 70 UNI 7323	M 6	UNI 5721	1
37	Pump casing	EN 14301(AISI 304)	-	-	1
44	Strainer	EN 14301(AISI 304)	-	-	1
45	Upper bearing housing	EN 1706 AC-46000 D	-	-	1
46	Lower bearing housing	EN 1706 AC-46000 D	-	-	1
52	Terminal insulating base	PA 6 class V-0	-	-	1
53	Terminal insulating box	PA 6 class V-0	-	-	1
54	Power cable	-	-	-	1
55	Switch [3] [4]	-	-	-	1
57	Spacer	EN 14301(AISI 304)	-	-	2
58	Power cable connector	OT 58 UNI 5705-65 Nickel-plated Brass	-	-	1
59	Switch cable connector [3]	OT 58 UNI 5705-65 Nickel-plated Brass	-	-	1
91	Washer	EN 14301(AISI 304)	-	-	1
92	Lip seal	NBR	22x12x4	-	1
94	Shaft sleeve	EN 14305 (AISI 303) ceramic coated	-	-	1
95	O-ring	NBR	6,07x1,78	-	1
96	O-ring	NBR	4,48x1,78	-	1
97	Power cable connector	NBR	-	-	1
98	Switch cable connector [3]	NBR	-	-	1
100	O-ring	NBR	4,48x1,78	-	1
123	Handle	PP	-	-	1
200	Screw	A2 - 70 UNI 7323	M 5x6	UNI 7687	4
201	Screw	A2 - 70 UNI 7323	M 5x6	UNI 7687	1
204	Screw	A2 - 70 UNI 7323	M 5x6	UNI 7687	1
206	Screw	A2 - 70 UNI 7323	M 5x6	UNI 7687	3
207	Screw	A2 - 70 UNI 7323	M 5x6	UNI 7687	2
208	Screw	A2 - 70 UNI 7323	M 5x6	UNI 7687	3
213	Screw	A2 - 70 UNI 7323	M 4x6	UNI 7687	1
232	Washer	PA 66	5,5x10x1	-	1
235	Washer	Zincate Steel	4	UNI 8842	1
242	Washer	EN 14301(AISI 304)	13,4x15,9x1	-	1
243	Washer [3]	EN 14301(AISI 304)	13,4x15,9x1	-	1
246	Ground wire	-	-	-	1
256	Strain relief	-	-	-	1
257	Strain relief [3]	-	-	-	1
260	Oil	Esso Marco1 152	-	-	40 cc
300	Minimum suction system [5]	Thermo plastic elastomer vulcanizate	-	-	-

[1] See pag. 303

[2] Only for single phase

[3] Only for automatic version

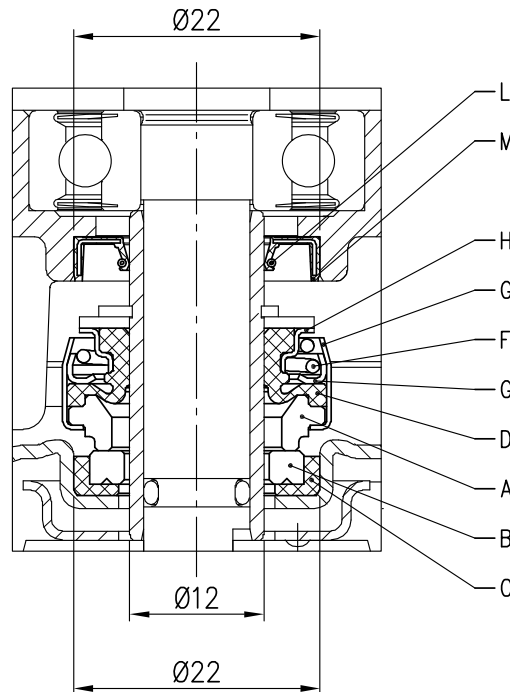
[4] It could be floating or magnetic type

[5] OPTIONAL See pag.700

BEARINGS

Type pumps		Ball Bearing	
Single Phase	Three Phase	Lower side	Upper side
BEST ONE M	BEST ONE	6200 ZZ C3	6000 ZZ C3

MECHANICAL SEAL



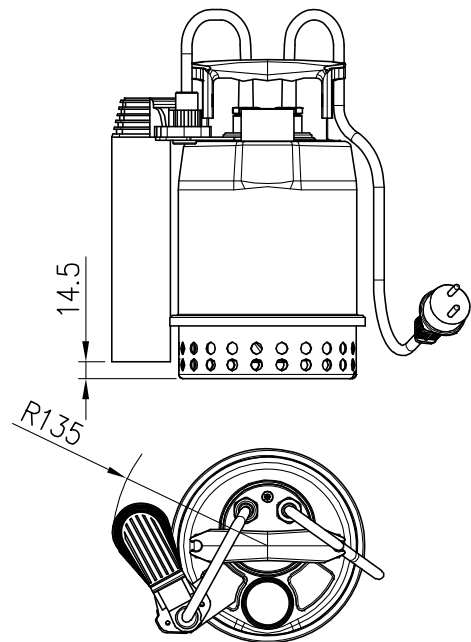
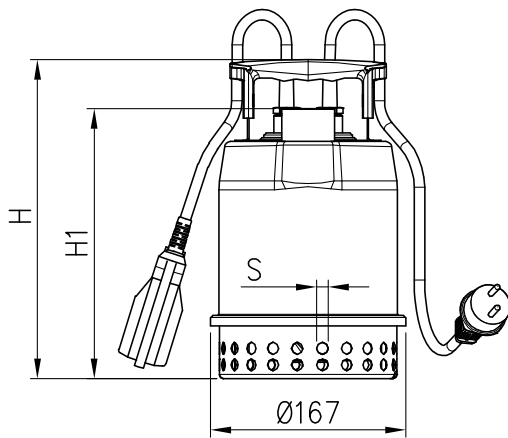
REF	PART NAME	MATERIAL product standard	MATERIAL optional
A	Rotary seal ring	Carbon graphite	SiC
B	Stationary seal ring	Ceramic	SiC - Q6 (*)
C	Gasket	NBR	FPM
D	Bellows	NBR	FPM
F	Self driving spring	EN 1.4301 (AISI 304)	
G	Frame	EN 1.4301 (AISI 304)	
H	Retainer ring	EN 1.4301 (AISI 304)	
L	Spring	EN 1.4318 (AISI 302)	
M	Lip	NBR	

(*) Special grade of SiC with microporosities filled with graphite

PUMP

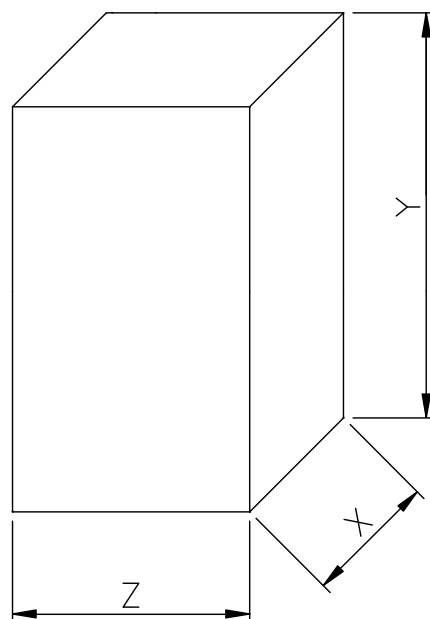
BEST ONE MA
BEST ONE VOX MA

BEST ONE MS



Pump Type	Dimensions [mm]			Weight [kgf]
	H	H1	S	
BEST ONE	273	231	10	4,3
BEST ONE M				4,4
BEST ONE MA				4,6
BEST ONE MS				4,8
BEST ONE VOX	304	262	20	4,4
BEST ONE VOX M				4,5
BEST ONE VOX MA				4,7

PACKING



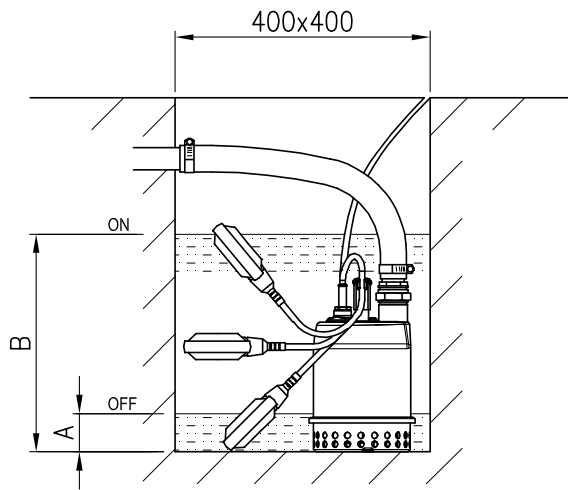
Pump Type	Dimensions [mm]			Weight [kgf]
	X	Y	Z	
BEST ONE	180	330	220	4,8
BEST ONE M				4,9
BEST ONE MA				5,1
BEST ONE MS				5,3
BEST ONE VOX				4,9
BEST ONE VOX M				5,0
BEST ONE VOX MA				5,2

MOTOR DATA

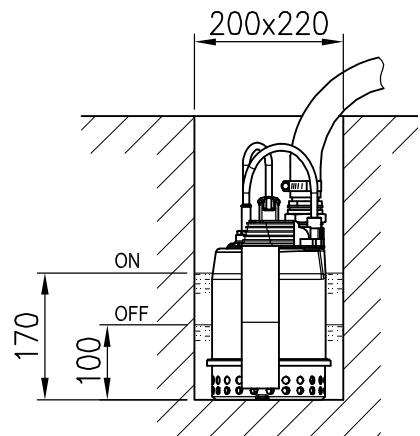
Type pumps		Power		Capacitor				Input [kW]			Full load current [A]			Locked rotor current [A]		
Single Phase	Three Phase	[kW]	[HP]	110-115 V		220-230 V		Single Phase		Three Phase	Single Phase		Three Phase	Single Phase		Three Phase
				[μF]	[V]	[μF]	[V]	110-115 V	220-230 V	380 V	110-115 V	220-230 V	380 V	110-115 V	220-230 V	380 V
BEST ONE M	BEST ONE	0.25	0.33	20	250	6.3	450	0.51	0.53	0.43	4.8	2.4	0.7	13.8	6.8	2.9
BEST ONE VOX M	BEST ONEVOX							0.43	0.47	0.38	4.2	2.2	0.7	10.7	6.2	2.1

INSTALLATION

**BEST ONE MA
BEST ONE VOX MA**

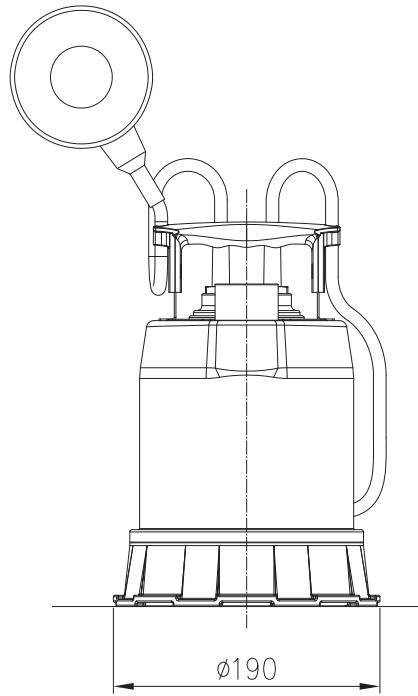


BEST ONE MS



Pump Type	A	B
BEST ONE MA	110	305
BEST ONE VOX MA		330

MINIMUM SUCTION SYSTEM



LEVEL	
Minimum starting suction level	10 mm
Minimum suction level capability	3 mm

COMPATIBILITY				
Type pumps	Version			
	1~			3~
	M	MA	MS	
BEST ONE	✓	✓	✗	✓
BEST ONE VOX	✗	✗	✗	✗