

EBARA



	Page
- SPECIFICATIONS	200
SELECTION CHART	201
SELECTION CHART TABLE	202
TYPE KEY AND CURVE SPECIFICATIONS	203
PERFORMANCE CURVE MATRIX 3 (2-3 IMPELLERS)	204
PERFORMANCE CURVE MATRIX 3 (4-5-6 IMPELLERS)	205
PERFORMANCE CURVE MATRIX 5 (2-3 IMPELLERS)	206
PERFORMANCE CURVE MATRIX 5 (4-5-6 IMPELLERS)	207
PERFORMANCE CURVE MATRIX 10	209
PERFORMANCE CURVE MATRIX 18	211
- CONSTRUCTIONS	300
SECTIONAL VIEW DRAWING MATRIX 3/5/10	300
SECTIONAL VIEW DRAWING MATRIX 18	301
SECTIONAL VIEW TABLE	302
QUANTITY FOR MODEL	303
MECHANICAL SEAL (STANDARD)	304
MECHANICAL SEAL (HIGH TEMPERATURE)	305
BEARINGS	306
- DIMENSIONS AND WEIGHT	400
PUMP MATRIX 3	400
PUMP DRAWING MATRIX 5/10/18	401
PUMP TABLE MATRIX 5/10/18	402
PACKING	403
- TECHNICAL DATA	500
MOTOR DATA	500
NOISE DATA	500

SPECIFICATION

60Hz

Rev. C

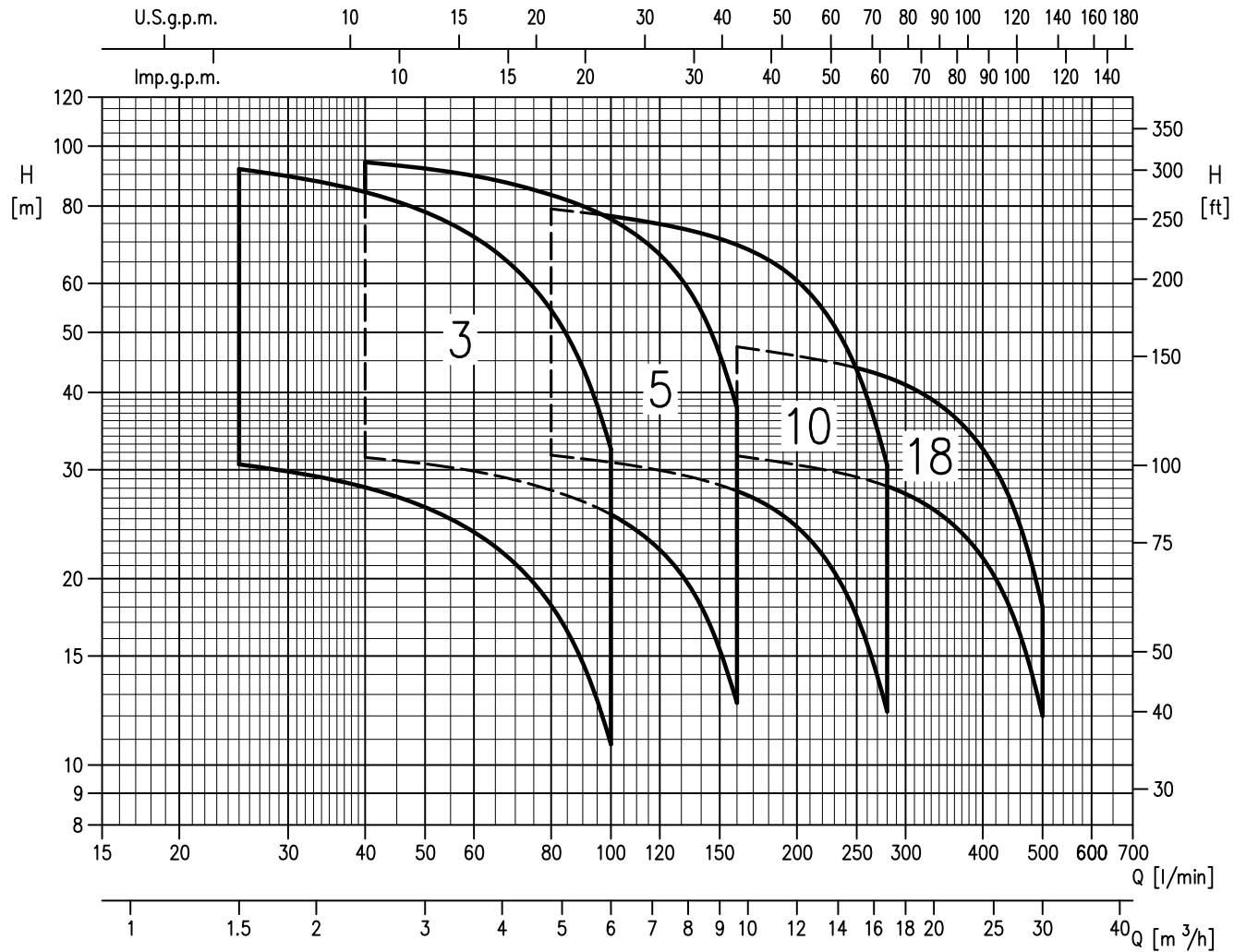
PUMP		
Liquid Handled	Type of liquid	Water, moderate aggressive solutions , glycol solutions , moderate viscous fluids
	Temperature [°C]	min.-15 max.+85 (Standard) *WRAS - DM174 max.+110 (High temperature) *DM174
Max chlorine content		500 ppm
Maximum working pressure [MPa]		1
Construction	Impeller	Closed centrifugal
	Bearing	Screened ball bearing – greased for life
Pipe Connection	Suction	G 1 (Matrix 3) UNI ISO 228
		G 1¼ (Matrix 5) UNI ISO 228
		G 1½ (Matrix 10) UNI ISO 228
		G 2 (Matrix 18) UNI ISO 228
Discharge	G 1 (Matrix 3) UNI ISO 228	
	G 1 (Matrix 5) UNI ISO 228	
	G 1¼ (Matrix 10) UNI ISO 228	
	G 1½ (Matrix 18) UNI ISO 228	
Material	Casing	AISI 304 (EN 1.4301)
	Impeller	AISI 304 (EN 1.4301)
	Intermediate casing	AISI 304 (EN 1.4301)
	O-Rings	EPDM
	Shaft seal	Ceramic/Carbon/EPDM
	Liner ring	AISI 304 (EN 1.4301) + PTFE
	Casing cover	AISI 304 (EN 1.4301)
	Shaft	AISI 304 wet extension (EN 1.4301)
Bracket	EN AB-AISI11Cu2(Fe) (Die cast Aluminium)	
Applicable standard of test		ISO 9906 – Annex A

* Approval for drinking water application
WRAS Approved product
DM174/2004



TIFQ
prodotto conforme
D.M.174/2004

MOTOR			
Type	Electric - TEFC		
	Single Phase	Three Phase	
No. of Poles	2		
Rotation speed [min ⁻¹]	≈ 3500		
Insulation Class	F		
Max temperature environment [°C]	40		
Protection degree	IP 55		
Power rating	[kW]	0.65 ÷ 1.5	0.65 ÷ 4.0
	[HP]	0.9 ÷ 2.0	0.9 ÷ 5.5
Frequency [Hz]	60		
Voltage [V]	220-230 ±6%	220/380-460 -6%+10%	
Capacitor	Built in	-	
Over load protection	Built in	Provided by the user	
Casing material	Aluminium		
Base material/Motor support	Aluminium		
Dimensions of cable entry	M20X1.5	PG11 – PG13.5	



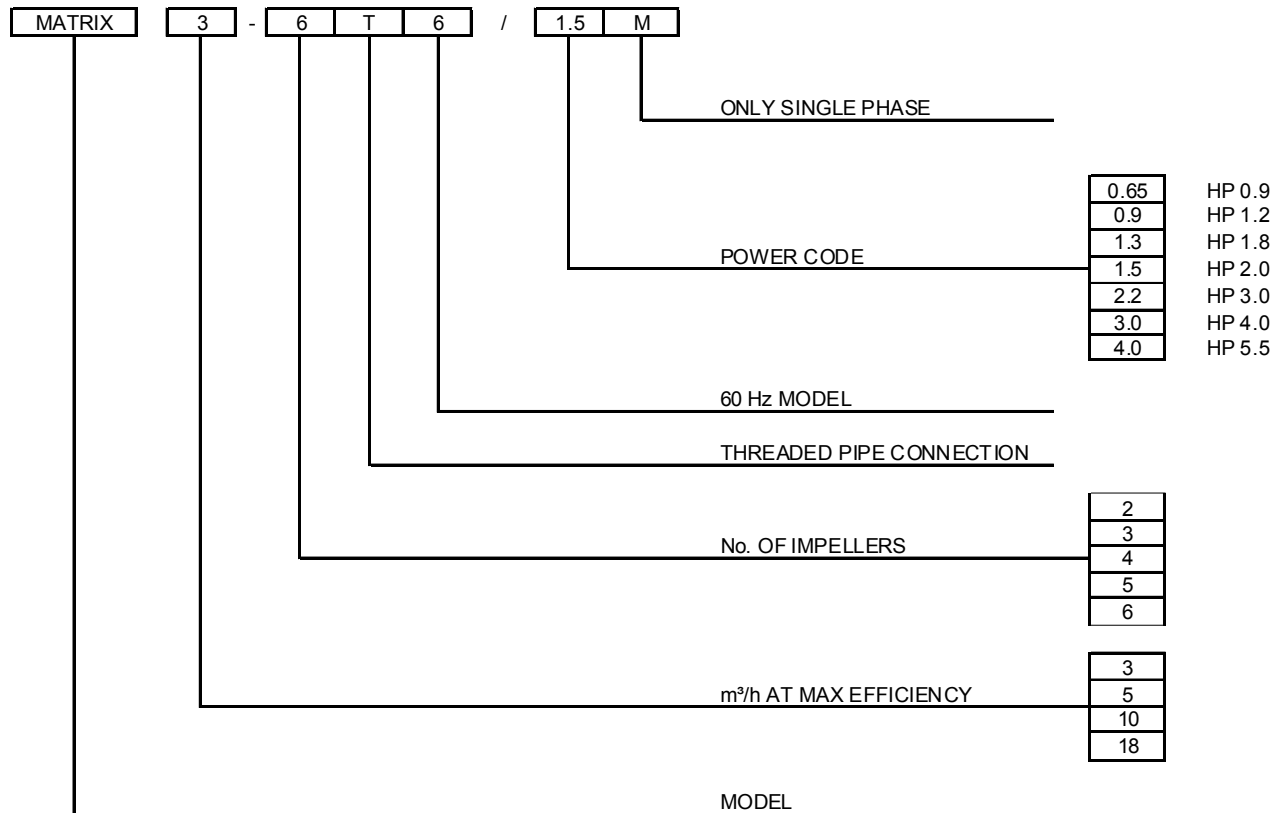
SELECTION CHART

60Hz

Rev. C

Pump type		Power		Q=Capacity															
Single phase	Three phase	[kW]	[HP]	l/min	0	25	40	60	80	100	130	160	220	280	340	400	460	500	
				m ³ /h	0	1.5	2.4	3.6	4.8	6	7.8	9.6	13.2	16.8	20.4	24	27.6	30	
				H=Total manometric head in meters															
3-2T6/0.65M	3-2T6/0.65	0.65	0.9	33.4	30.6	28.1	23.8	18.1	10.8										
3-3T6/0.9M	3-3T6/0.9	0.9	1.2	50.0	46.0	42.0	35.7	27.2	16.2										
3-4T6/1.3M	3-4T6/1.3	1.3	1.8	67.0	61.0	56.0	47.5	36.2	21.6										
3-5T6/1.5M	3-5T6/1.5	1.5	2.0	83.5	76.5	70.5	59.5	45.5	27.0										
-	3-6T6/2.2	2.2	3.0	100.0	92.0	84.5	71.5	54.5	32.4										
5-2T6/0.9M	5-2T6/0.9	0.9	1.2	33.5	-	31.4	29.8	27.8	25.4	20.3	12.6								
5-3T6/1.3M	5-3T6/1.3	1.3	1.8	50.0	-	47.0	45.0	41.5	38.1	30.5	18.9								
-	5-4T6/2.2	2.2	3.0	67.0	-	63.0	59.5	55.5	51.0	40.5	25.2								
-	5-5T6/2.2	2.2	3.0	83.5	-	78.5	74.5	69.5	63.5	51.0	31.5								
-	5-6T6/3	3.0	4.0	100.0	-	94.0	89.5	83.5	76.0	61.0	37.8								
10-2T6/1.5M	10-2T6/1.5	1.5	2.0	34.4	-	-	-	31.7	30.8	29.4	27.7	21.9	12.2						
-	10-3T6/2.2	2.2	3.0	51.5	-	-	-	47.5	46.5	44.0	41.5	32.8	18.3						
-	10-4T6/3	3.0	4.0	69.0	-	-	-	63.5	61.5	59.0	55.5	43.5	24.4						
-	10-5T6/4	4.0	5.5	86.0	-	-	-	79.0	77.0	73.5	69.5	54.5	30.5						
-	18-2T6/3	3.0	4.0	34.6	-	-	-	-	-	-	31.6	30.0	28.2	25.5	21.6	16.2	12.0		
-	18-3T6/4	4.0	5.5	52.0	-	-	-	-	-	-	47.5	45.0	42.5	38.3	32.4	24.3	18.0		

TYPE KEY



PERFORMANCE CURVE SPECIFICATIONS

The specifications below qualify the curves shown on the following pages.

Tolerances according to ISO 9906 Annex A

The curves refer to effective speed of asynchronous motors at 60 Hz

Measurements were carried out with clean water at 20°C of temperature and with a kinematic viscosity of $\nu = 1 \text{ mm}^2/\text{s}$ (1 cSt)

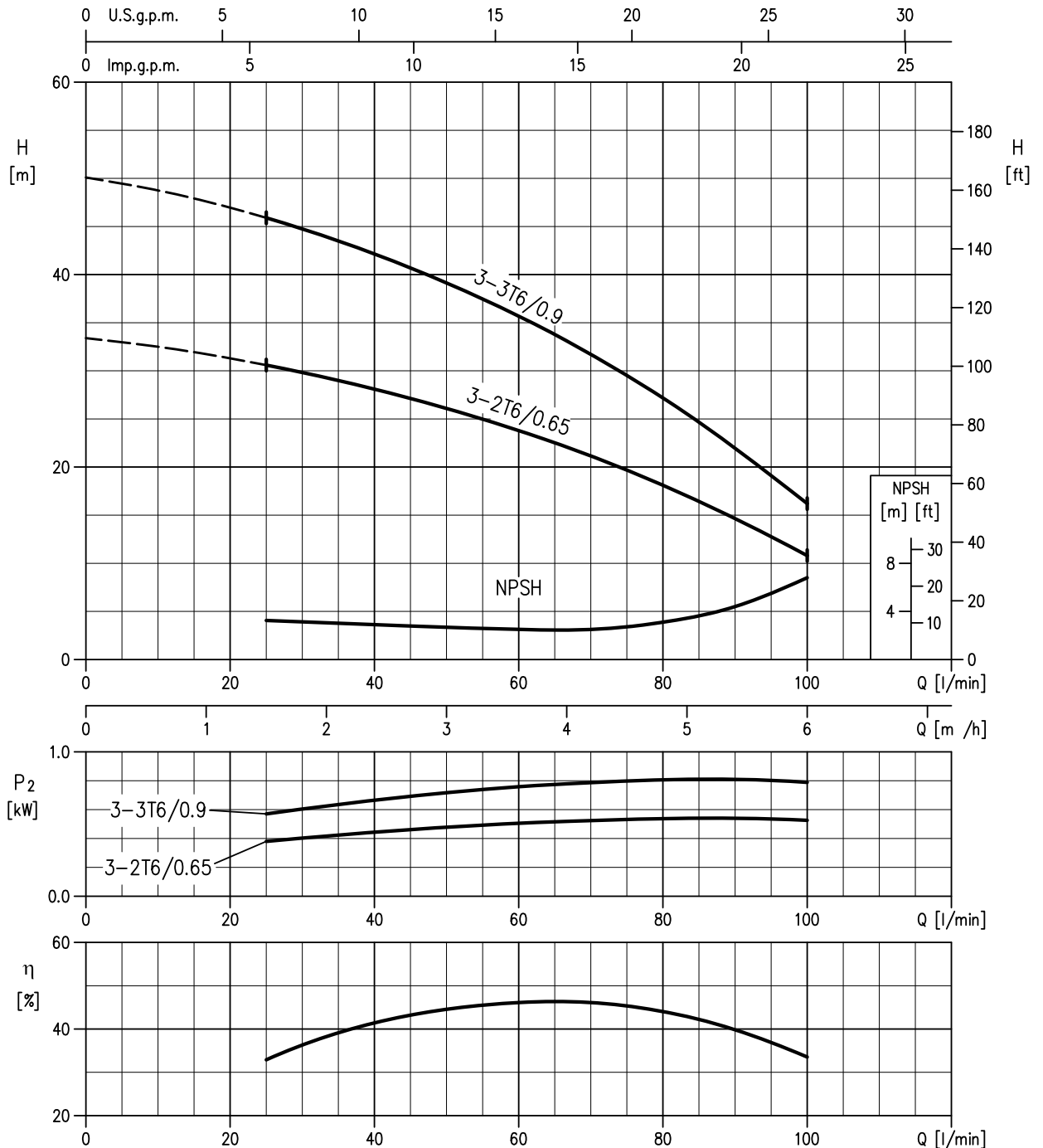
The continuous curves indicate the recommended working range. The dotted curve is only a guide.

In order to avoid the risk of over-heating, the pumps should not be used at a flow rate below 10% of best efficiency point.

Symbols explanation:

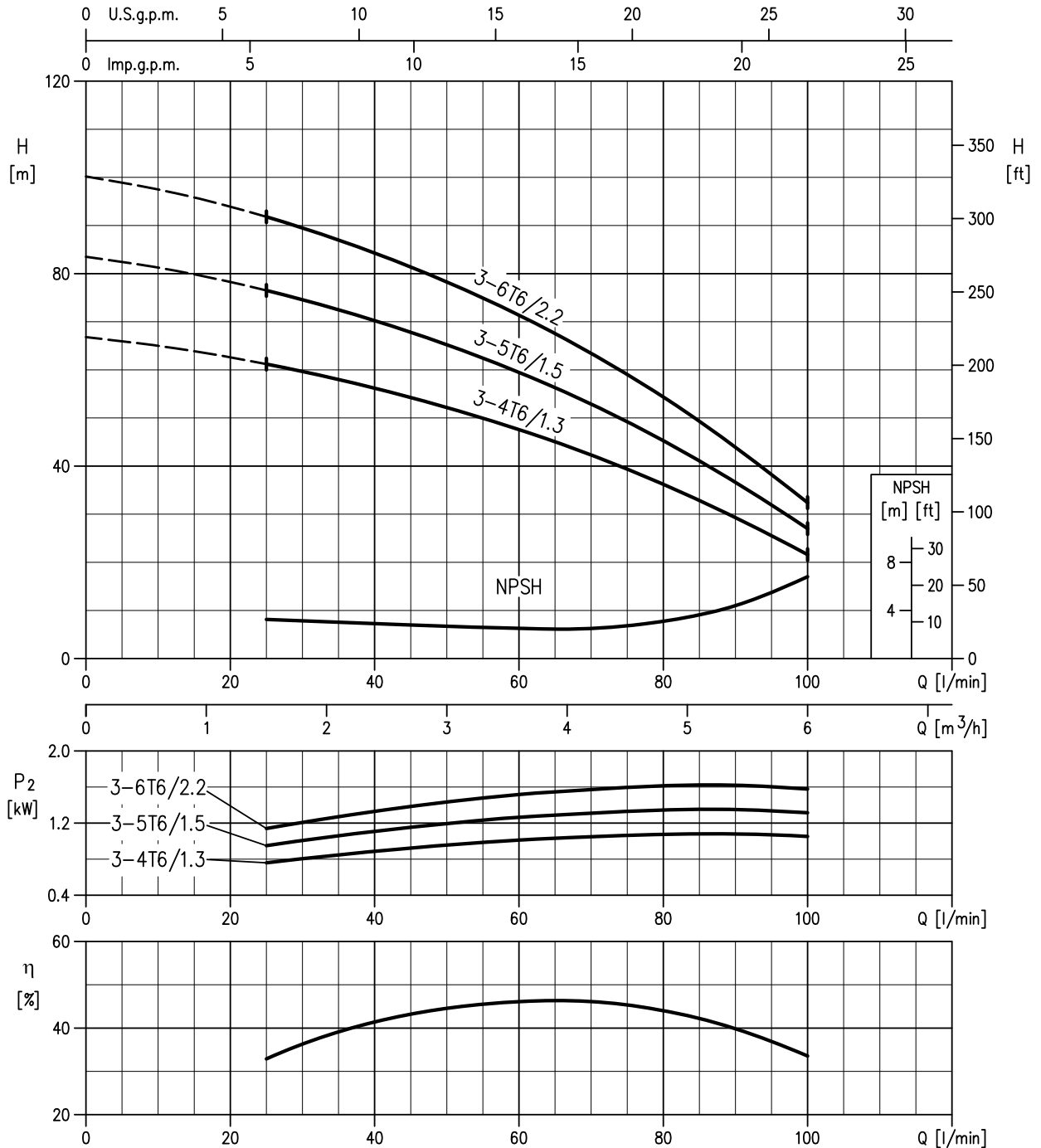
- Q = volume flow rate
- H = total head
- P₂ = pump power input (shaft power)
- η = pump efficiency
- NPSH = net positive suction head required by the pump

MATRIX 3-3T6/0.9 (0.90 kW) - Impeller diameter = 98.5 mm
MATRIX 3-2T6/0.65 (0.65 kW) - Impeller diameter = 98.5 mm



Rotation speed ≈ 3500 min⁻¹
 Test standard: ISO 9906 – Annex A

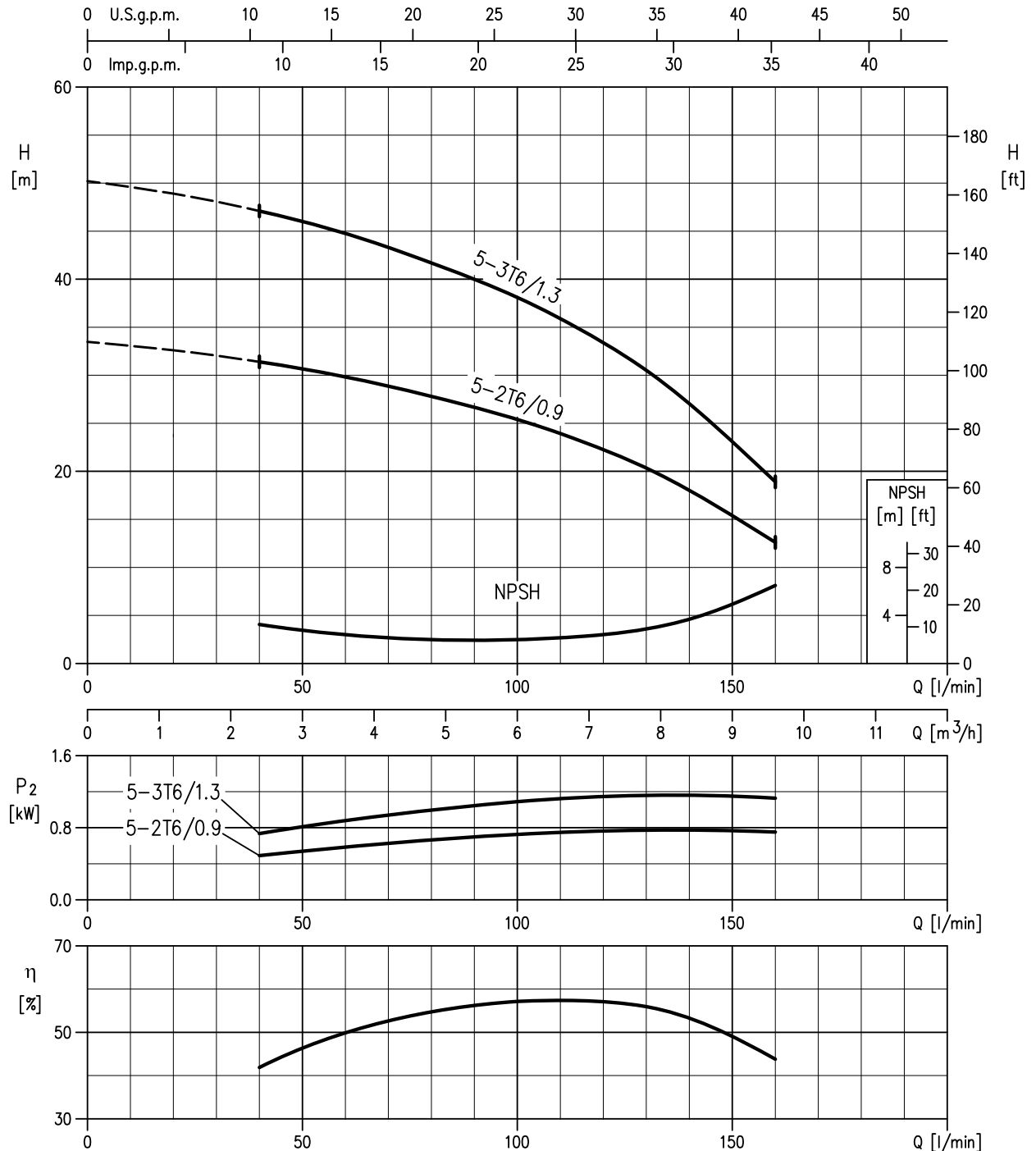
MATRIX 3-6T6/2.2 (2.2 kW) - Impeller diameter = 98.5 mm
MATRIX 3-5T6/1.5 (1.5 kW) - Impeller diameter = 98.5 mm
MATRIX 3-4T6/1.3 (1.3 kW) - Impeller diameter = 98.5 mm



Rotation speed ≈ 3500 min⁻¹
 Test standard: ISO 9906 – Annex A

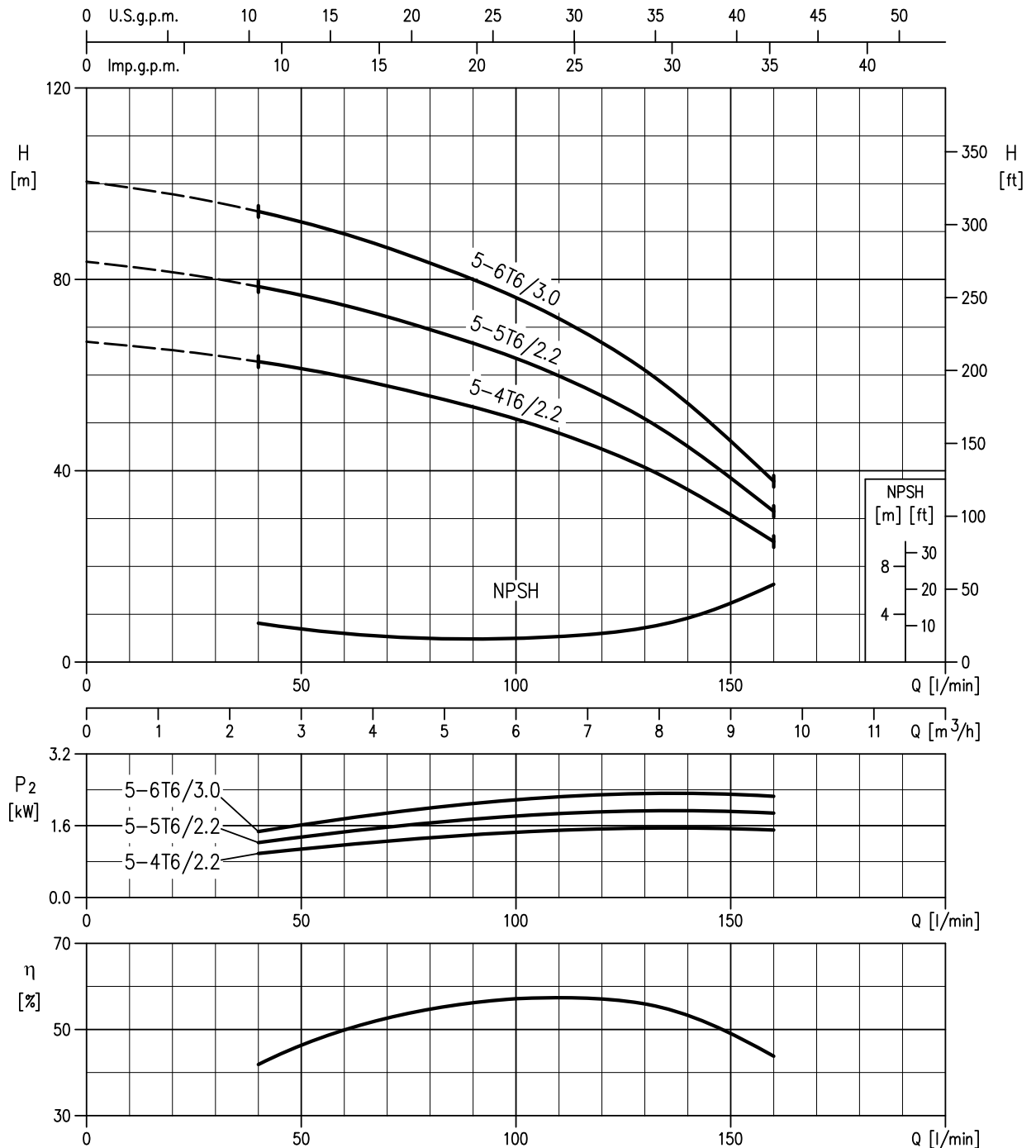
MATRIX 5-3T6/1.3 (1.3 kW) - Impeller diameter = 97 mm

MATRIX 5-2T6/0.9 (0.9 kW) - Impeller diameter = 97 mm



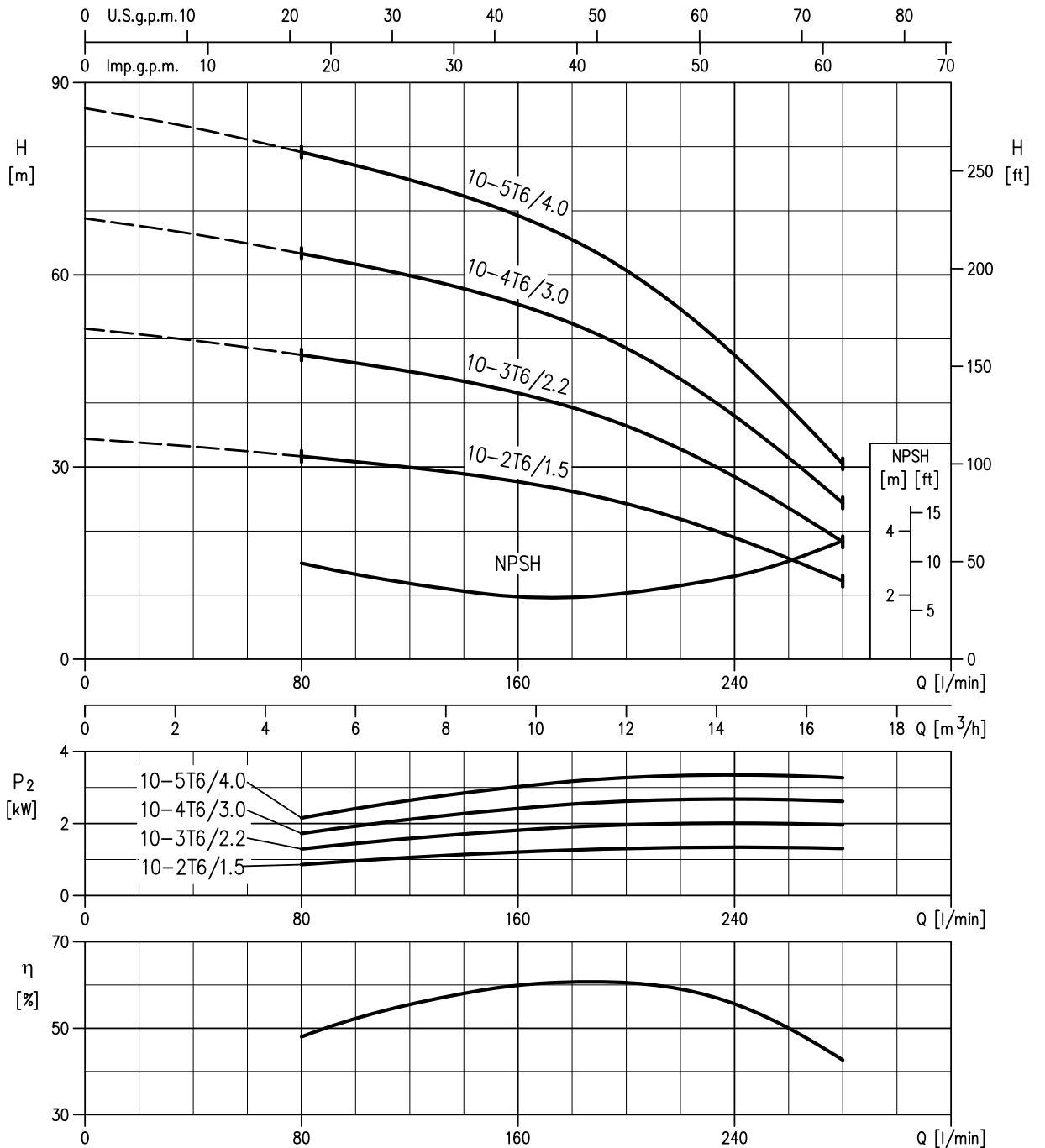
Rotation speed ≈ 3500 min⁻¹
 Test standard: ISO 9906 – Annex A

MATRIX 5-6T6/3.0 (3.0 kW) - Impeller diameter = 97 mm
MATRIX 5-5T6/2.2 (2.2 kW) - Impeller diameter = 97 mm
MATRIX 5-4T6/2.2 (2.2 kW) - Impeller diameter = 97 mm



Rotation speed ≈ 3500 min⁻¹
 Test standard: ISO 9906 – Annex A

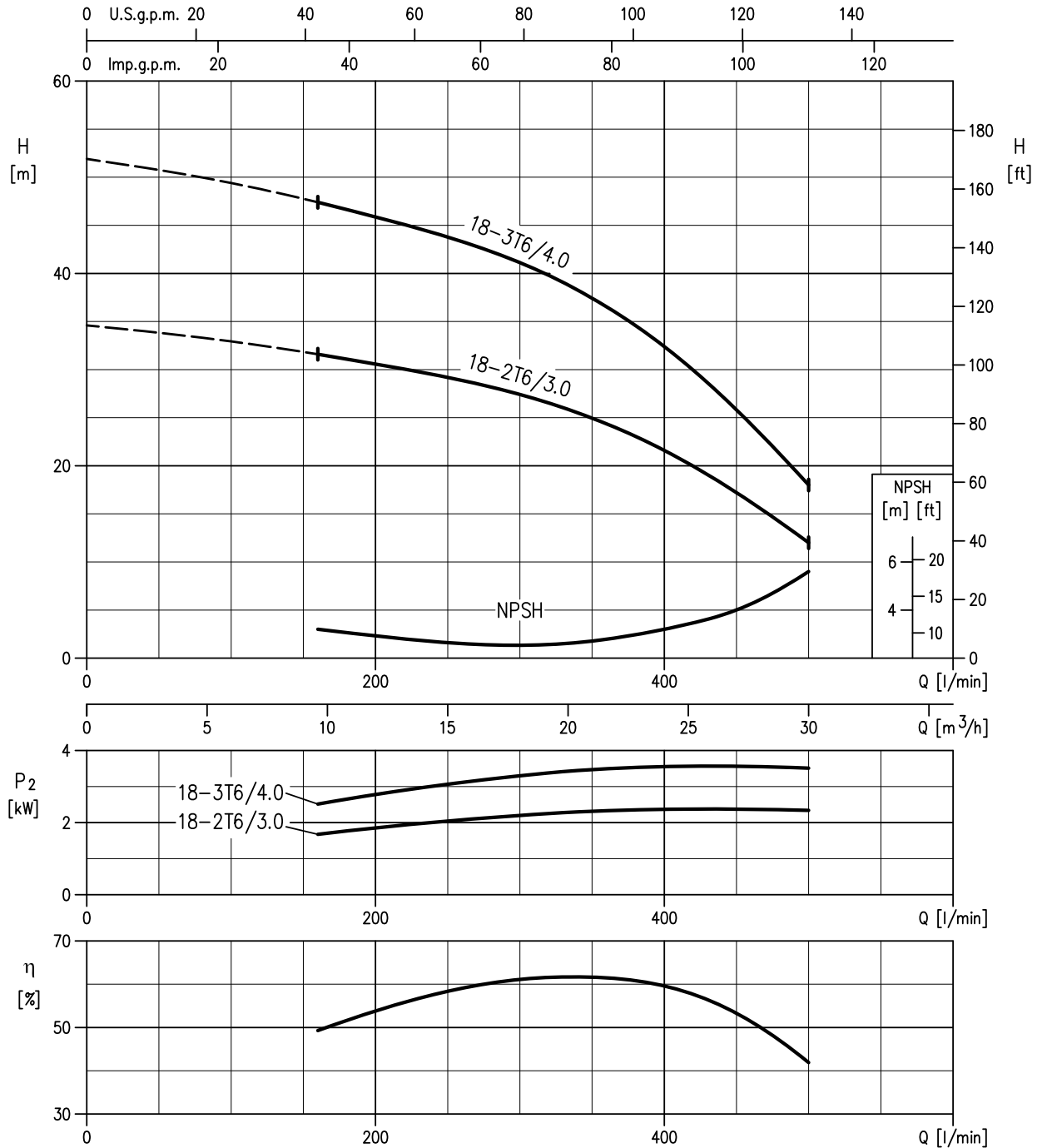
MATRIX 10-5T6/4.0 (4.0 kW) - Impeller diameter = 100.5 mm
MATRIX 10-4T6/3.0 (3.0 kW) - Impeller diameter = 100.5 mm
MATRIX 10-3T6/2.2 (2.2 kW) - Impeller diameter = 100.5 mm
MATRIX 10-2T6/1.5 (1.5 kW) - Impeller diameter = 100.5 mm



Rotation speed ≈ 3500 min⁻¹
 Test standard: ISO 9906 – Annex A

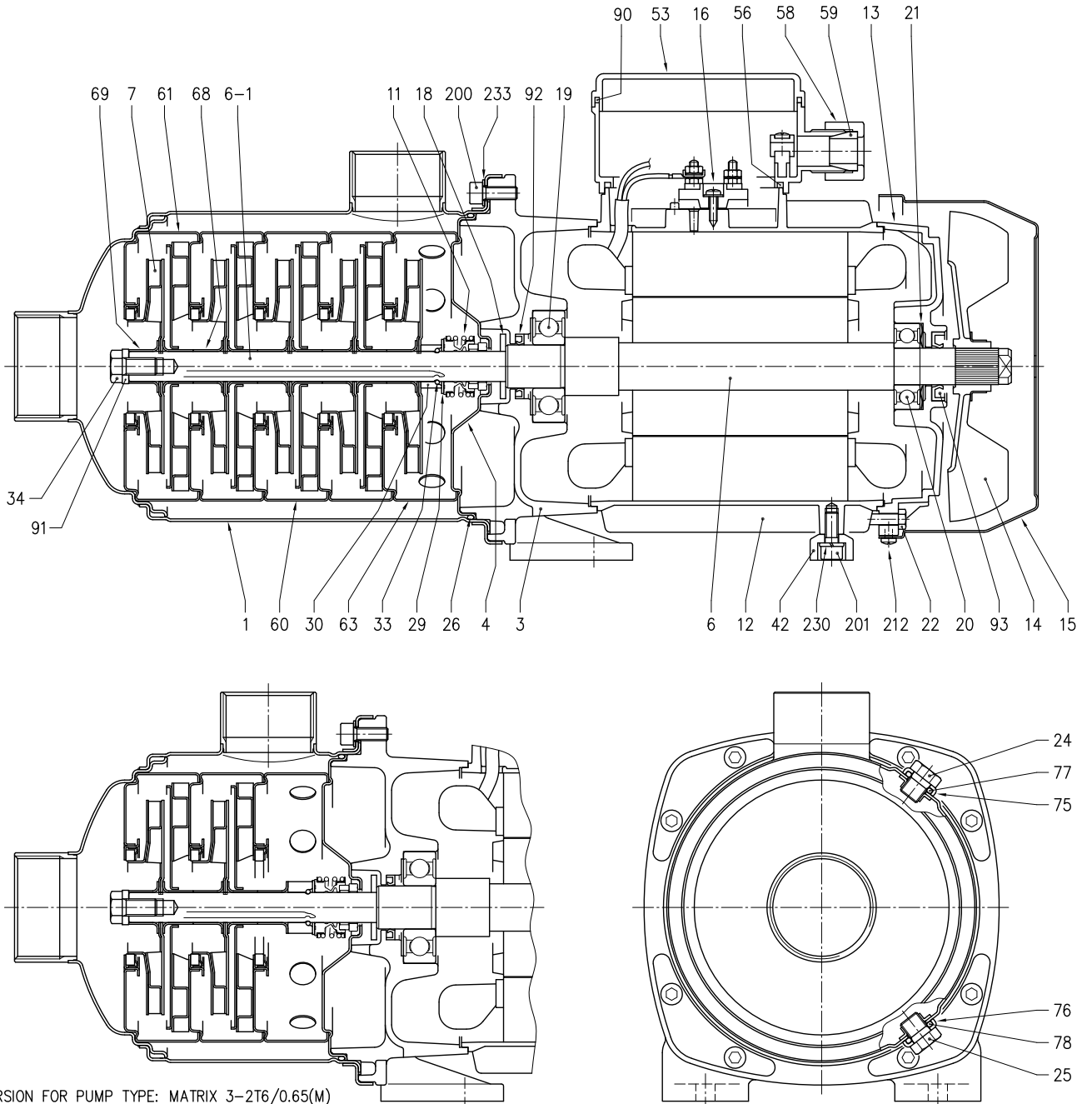
MATRIX 18-3T6/4.0 (4.0 kW) - Impeller diameter = 106.7 mm

MATRIX 18-2T6/3.0 (3.0 kW) - Impeller diameter = 106.7 mm



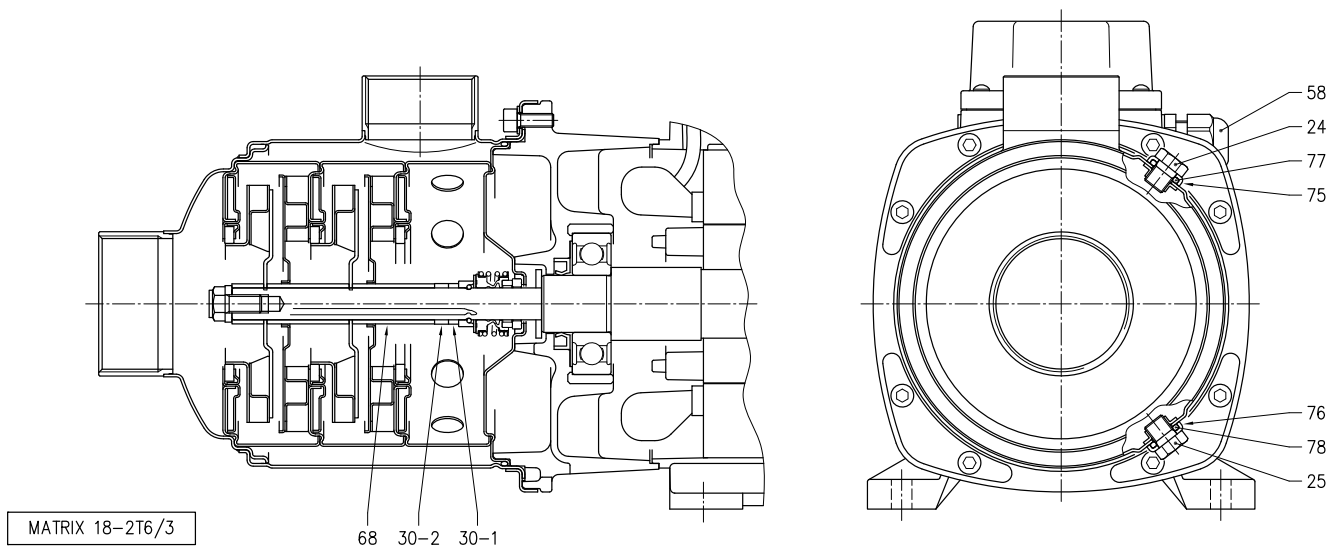
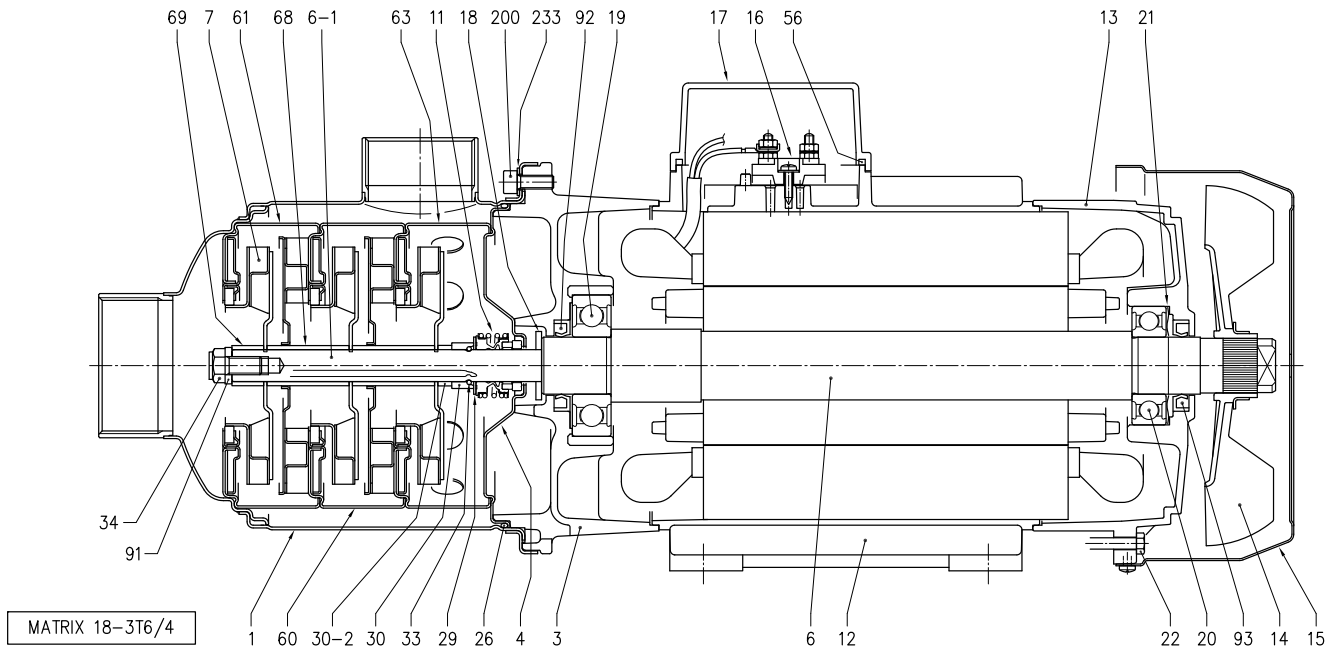
Rotation speed ≈ 3500 min⁻¹
 Test standard: ISO 9906 – Annex A

SECTIONAL VIEW DRAWING MATRIX 3/5/10



VERSION FOR PUMP TYPE: MATRIX 3-2T6/0.65(M)
MATRIX 5-2T6/0.9(M)
MATRIX 10-2T6/1.5(M)

SECTIONAL VIEW DRAWING MATRIX 18



N°	PART NAME	MATERIAL	DIMENSION	STANDARD	Q.TY
1	Casing	EN 1.4301 (AISI 304)			1
3	Bracket	EN AB-AISI11Cu2(Fe)			1
4	Casing cover	EN 1.4301 (AISI 304)			1
6	Shaft with rotor	-			1
6-1	Pump Shaft	EN 1.4301 (AISI 304)			1
7	Impeller	EN 1.4301 (AISI 304)			[1]
11	Standard mechanical seal	Ceramic/Carbon/EPDM	see table pag 304		1
	High temperature mechanical seal	Ceramic/Carbon/EPDM	see table pag 305		
12	Motor frame with stator	-			1
13	Motor cover	Aluminium			1
14	Fan	PA6			1
15	Fan cover	Fe P04 Zinc-coated			1
16	Terminal board	-			1
17	Terminal box cover [2]	Aluminium			1
18	Splash ring	NBR	30x13.5x2.5		1
19	Bearing	-			1
20	Bearing	-			1
21	Adjusting ring	Steel C70			1
22	Tie rod	Fe 42 Zinc-coated			4
24	Plug	EN 1.4301 (AISI 304)			1
25	Plug	EN 1.4301 (AISI 304)			1
26	O-ring	EPDM	133.02X2.62		1
29	Washer	EN 1.4301 (AISI 304)	25.1x14x1		1
30	Ring holder	EN 1.4301 (AISI 304)			1
30-1	Shaft sleeve (adjustment)	EN 1.4301 (AISI 304)			[1]
30-2	Shaft sleeve (adjustment)	EN 1.4301 (AISI 304)			[1]
33	Ring	EN 1.4301 (AISI 304)			2
34	Screw	EN 1.4301 (AISI 304)	M 8x16	UNI 5739	1
42	Foot	Aluminium			[1]
50	Motor spacer [3]	Aluminium			1
52	Capacitor box [4]	ABS			1
53	Capacitor box cover [4] [5]	ABS [5]			1
56	Box gasket	NBR			1
58	Ring nut	-			[1]
59	Conic gasket [4]	NBR			1
60	Intermediate casing	EN 1.4301 (AISI 304)+PTFE			[1]
61	Intermediate casing (suction)	EN 1.4301 (AISI 304)+PTFE			1
63	Intermediate casing (discharge)	EN 1.4301 (AISI 304)+PTFE			1
68	Shaft sleeve (intermediate)	EN 1.4301 (AISI 304)			[1]
69	Impeller spacer	EN 1.4301 (AISI 304)			1
75	Washer (plug)	EN 1.4301 (AISI 304)			1
76	Washer (plug)	EN 1.4301 (AISI 304)			1
77	O-ring	EPDM	9.19x2.62		1
78	O-ring	EPDM	9.19x2.62		1
90	Cover box gasket [4]	NBR	-		1
91	Shaft washer	EN 1.4301 (AISI 304)			1
92	Lip seal	0.65-0.75-0.9 kW	17x32x6		1
		1.3-1.5-2.2 kW	20x30x4		1
		3-4 kW	25x40x7		1
93	Lip seal	0.65-0.75-0.9 kW	15x30x5		1
		1.3-1.5-2.2 kW	17x32x7		1
		3-4 kW	25x40x7		1
200	Screw	EN 1.4301 (AISI 304)	M6x16	UNI 5931	8
201	Screw	Steel 8.8 strenght class ISO 898/1	M6x20	UNI 5931	[1]
230	Washer	Steel C70	Ø 6.4	UNI 1751	[1]
233	Plate	EN 1.4301 (AISI 304)			4

[1] See table pag. 303

[2] Only for three-phase

[3] Only for 10-5T6/4 and 18-3T6/4

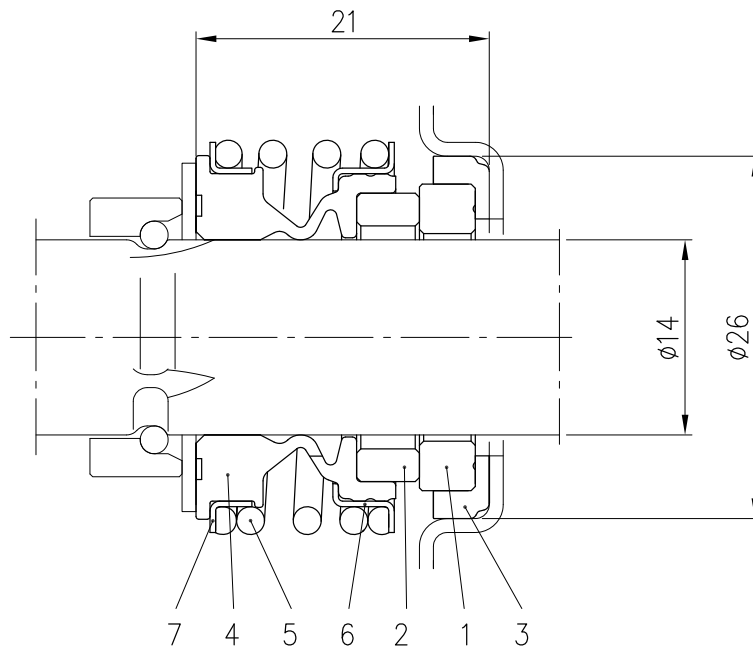
[4] Only for single-phase

[5] With gasket in NBR only for version single phase 3-2T6/0.65M, 3-3T6/0.9M, 5-2T6/0.9M

QUANTITY FOR MODEL

Pump type	7	30-1	30-2	42	60	68	90	201	230
MATRIX 3-2T6/0,65M	2	-	-	1	1	4	1	1	1
MATRIX 3-2T6/0,65		-	-	1	1	4	-	1	1
MATRIX 3-3T6/0,9M	3	-	-	1	1	4	1	1	1
MATRIX 3-3T6/0,9		-	-	1	1	4	-	1	1
MATRIX 3-4T6/1,3M	4	-	-	1	2	6	1	1	1
MATRIX 3-4T6/1,3		-	-	1	2	6	-	1	1
MATRIX 3-5T6/1,5M	5	-	-	1	3	8	1	1	1
MATRIX 3-5T6/1,5		-	-	1	3	8	-	1	1
MATRIX 3-6T6/2,2	6	-	-	1	4	10	-	1	1
MATRIX 5-2T6/0,9M	2	-	-	1	1	4	1	1	1
MATRIX 5-2T6/0,9		-	-	1	1	4	-	1	1
MATRIX 5-3T6/1,3M	3	-	-	1	1	4	1	1	1
MATRIX 5-3T6/1,3		-	-	1	1	4	-	1	1
MATRIX 5-4T6/2,2	4	-	-	1	2	6	-	1	1
MATRIX 5-5T6/2,2	5	-	-	1	3	8	-	1	1
MATRIX 5-6T6/3	6	-	-	-	4	10	-	-	-
MATRIX 10-2T6/1,5M	2	-	-	1	1	4	1	1	1
MATRIX 10-2T6/1,5		-	-	1	1	4	-	1	1
MATRIX 10-3T6/2,2	3	-	-	1	1	4	-	1	1
MATRIX 10-4T6/3	4	-	-	-	2	6	-	-	-
MATRIX 10-5T6/4	5	-	-	-	3	8	-	-	-
MATRIX 18-2T6/3	3	1	1	-	1	2	-	-	-
MATRIX 18-3T6/4	4	-	1	-	1	2	-	-	-

MECHANICAL SEAL (STANDARD)



Manufacturer reference	Version	Material						
		1 Stationary seal ring	2 Rotary seal ring	3 Gasket	4 Bellows	5 Spring	6 Frame	7 Retainer ring
BT Burgmann	Standard	Ceramic	Carbon	EPDM	EPDM	EN 1.4402 (AISI 316)	EN 1.4402 (AISI 316)	EN 1.4402 (AISI 316)

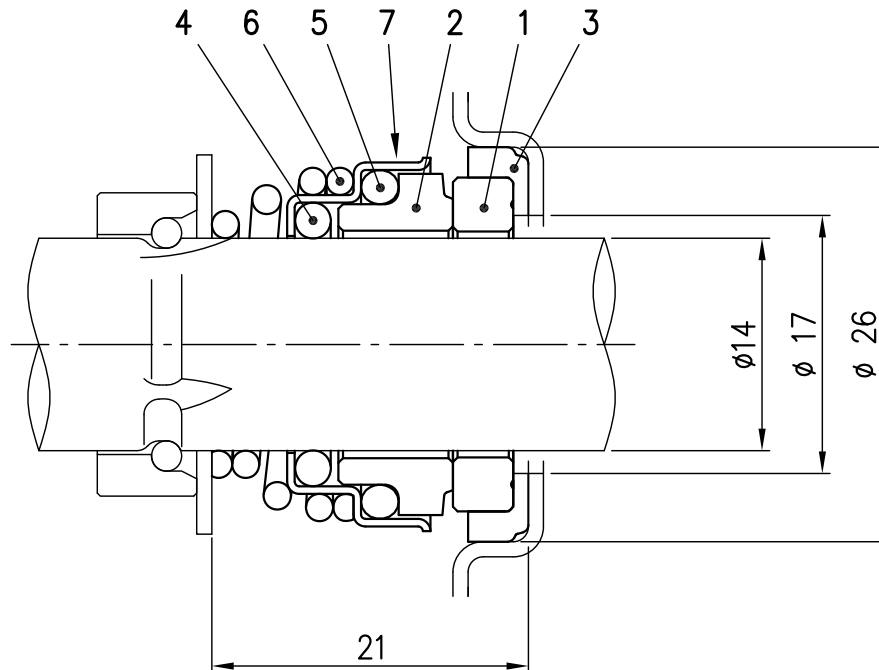
*Approval for drinking water application

WRAS Approval product
DM174/2004



TIFQ
prodotto conforme
D.M.174/2004

MECHANICAL SEAL (HIGH TEMPERATURE)



Manufacturer reference	Version	Material						
		1 Stationary seal ring	2 Rotary seal ring	3 Gasket	4 O-Ring	5 O-Ring	6 Spring	7 Retainer ring
BT Burgmann	High temperature	Ceramic	Carbon	EPDM	EPDM	EPDM	EN 1.4402 (AISI 316)	EN 1.4301 (AISI 304)

*Approval for drinking water application

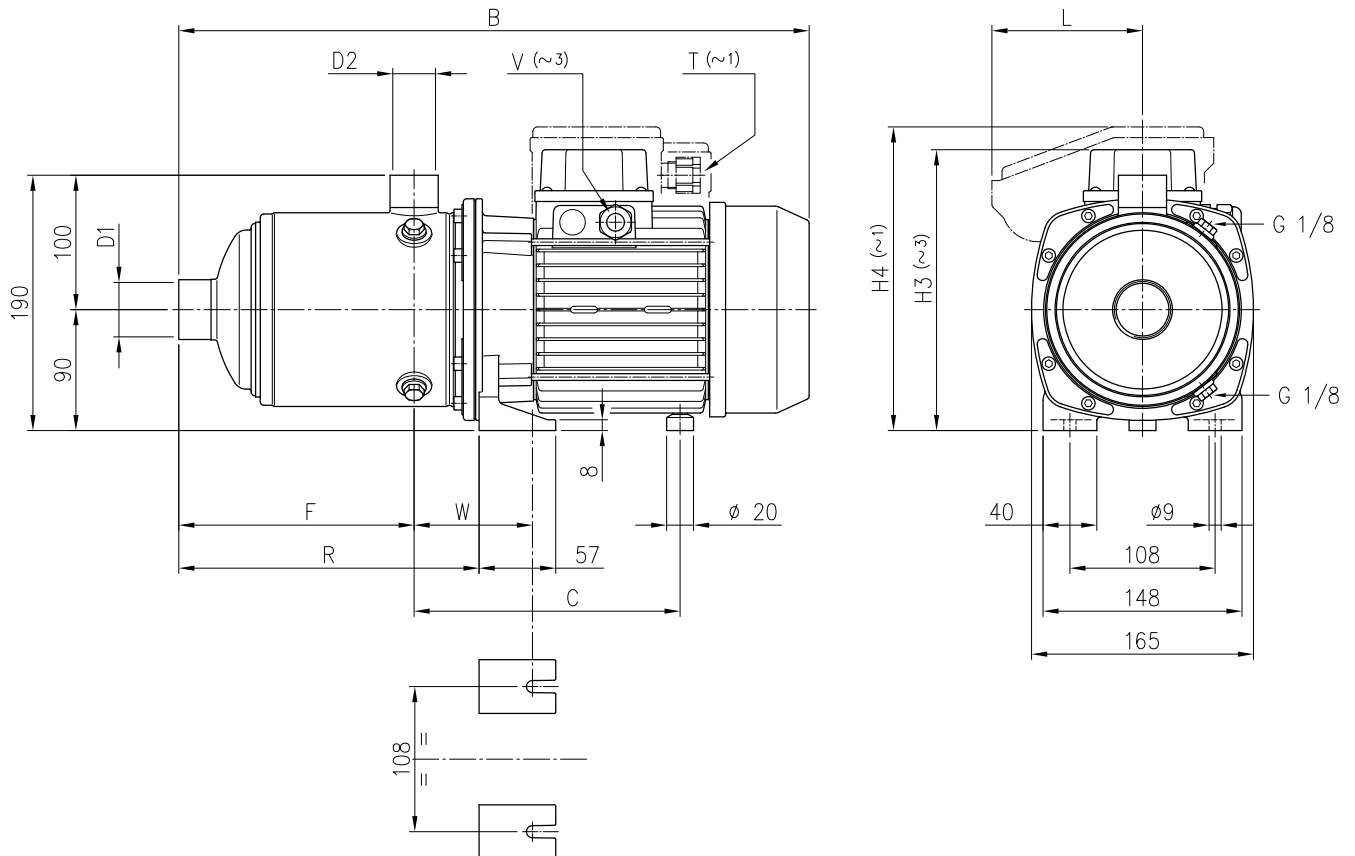
DM174/2004



BEARINGS

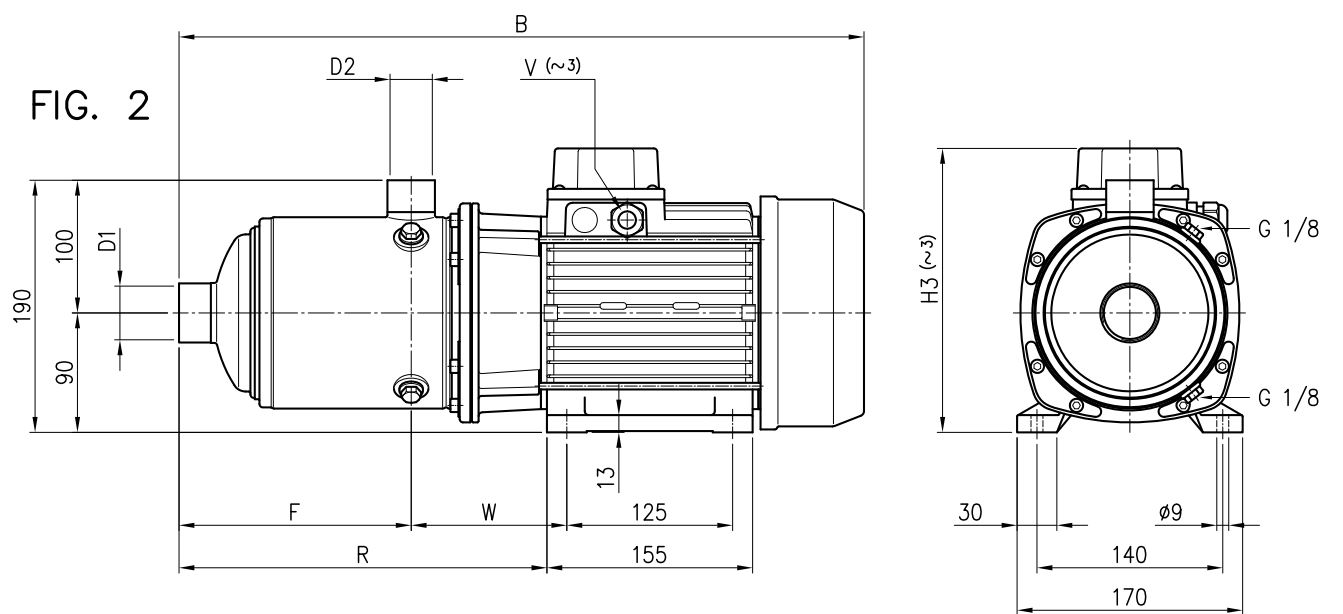
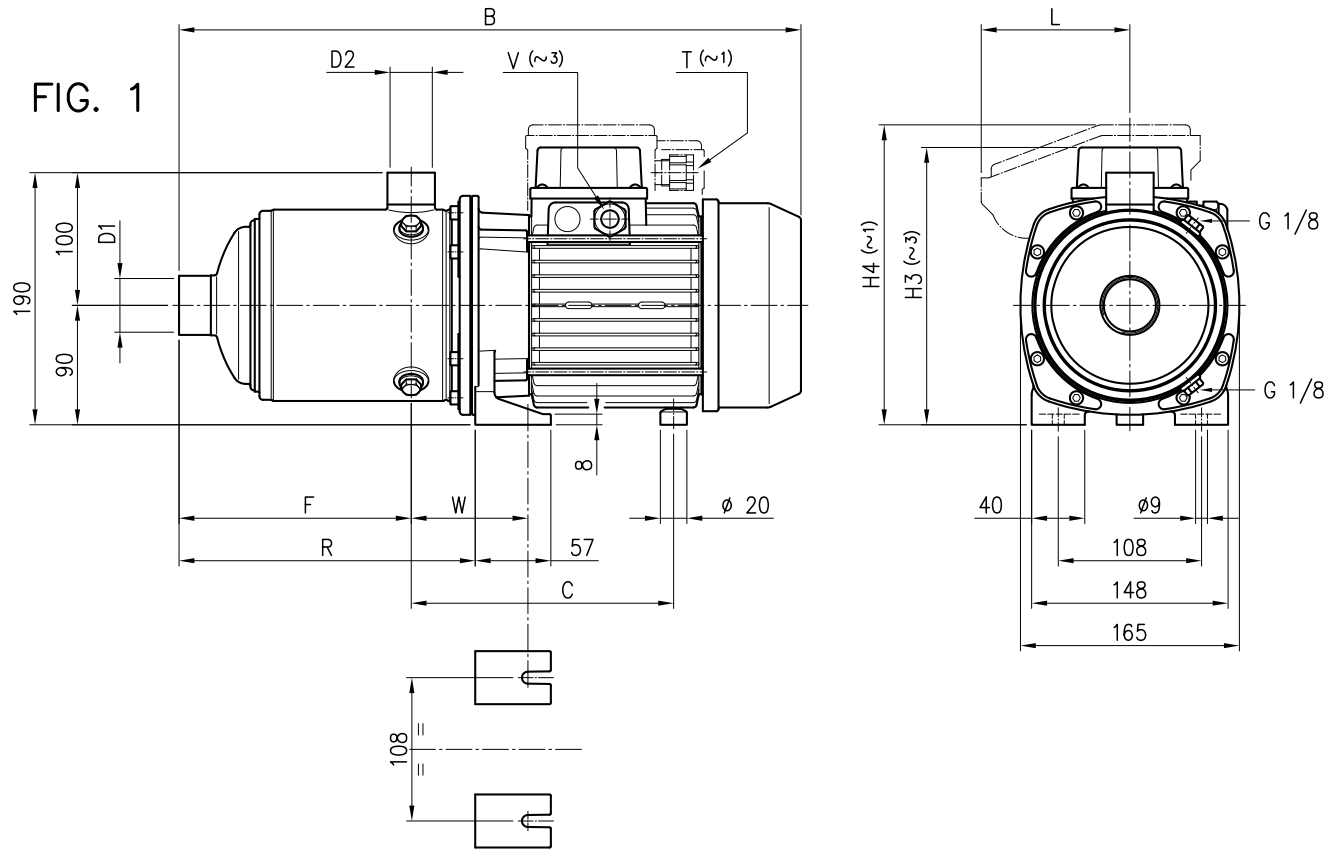
Pump Type	Bearing	
	Pump side	Fan side
MATRIX 3-2T6/0.65M	6203-2RSH	6202-2RSH
MATRIX 3-2T6/0.65		
MATRIX 3-3T6/0.9M		
MATRIX 3-3T6/0.9	6304-2RSH	6203-2RSH
MATRIX 3-4T6/1.3M		
MATRIX 3-4T6/1.3		
MATRIX 3-5T6/1.5M		
MATRIX 3-5T6/1.5	6304-2RSH	6203-2RSH
MATRIX 3-6T6/2.2		
MATRIX 5-2T6/0.9M	6203-2RSH	6202-2RSH
MATRIX 5-2T6/0.9		
MATRIX 5-3T6/1.3M	6304-2RSH	6203-2RSH
MATRIX 5-3T6/1.3		
MATRIX 5-4T6/2.2		
MATRIX 5-5T6/2.2	6305-2RSH1	6205-2RSH
MATRIX 5-6T6/3		
MATRIX 10-2T6/1.5M	6304-2RSH	6203-2RSH
MATRIX 10-2T6/1.5		
MATRIX 10-3T6/2.2	6305-2RSH1	6205-2RSH
MATRIX 10-4T6/3		
MATRIX 10-5T6/4		
MATRIX 18-2T6/3	6305-2RSH1	6205-2RSH
MATRIX 18-6T6/4		

PUMP MATRIX 3



Pump Type	Dimensions [mm]												Weight [kgf]
	D1	D2	B	C	F	H3 [3~]	H4 [1~]	L	R	T [1~]	V [3~]	W	
MATRIX 3-2T6/0.65M	1"	1"	360	171	103	-	200	86.5	151.5	Pg11	-	88 ÷ 97	9.8
MATRIX 3-2T6/0.65			360	171	103	192	-	-	151.5	-	Pg11	88 ÷ 97	9.7
MATRIX 3-3T6/0.9M			360	171	103	-	219	106	151.5	M20x1,5	-	88 ÷ 97	11.7
MATRIX 3-3T6/0.9			372	171	103	192	-	-	151.5	-	Pg11	88 ÷ 97	12.4
MATRIX 3-4T6/1.3M			421	198	127	-	226	112	175.5	M20x1,5	-	88 ÷ 97	14.7
MATRIX 3-4T6/1.3			421	198	127	209	-	-	175.5	-	Pg11	88 ÷ 97	14.4
MATRIX 3-5T6/1.5M			458	198	151	-	226	112	199.5	M20x1,5	-	88 ÷ 97	16
MATRIX 3-5T6/1.5			458	198	151	209	-	-	199.5	-	Pg11	88 ÷ 97	17.8
MATRIX 3-6T6/2.2			482	198	175	209	-	-	223.5	-	Pg11	88 ÷ 97	18.3

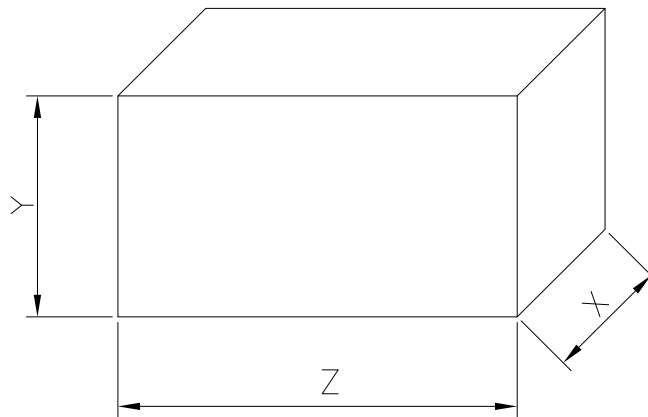
PUMP DRAWING MATRIX 5/10/18



PUMP TABLE MATRIX 5/10/18

Pump Type	Fig.	D1	D2	Dimensions [mm]																	Weight [kgf]				
				H	H1	B	C	F	H3 [3~]	H4 [1~]	L	R	T [1~]	V [3~]	W	W1	W2	M1	N1	N2		S1			
MATRIX 5-2T6/0.9M	1	1" 1/4	1"	-	-	360	171	103	-	219	106	151.5	M20x1.5	-	88+97	-	-	-	-	-	-	-	-	11.6	
MATRIX 5-2T6/0.9				-	-	372	171	103	192	-	-	151.5	-	Pg11	88+97	-	-	-	-	-	-	-	-	12.3	
MATRIX 5-3T6/1.3M				-	-	397	198	103	-	226	112	151.5	M20x1.5	-	88+97	-	-	-	-	-	-	-	-	-	14
MATRIX 5-3T6/1.3				-	-	397	198	103	209	-	-	151.5	-	Pg11	88+97	-	-	-	-	-	-	-	-	-	13.8
MATRIX 5-4T6/2.2				-	-	434	198	127	209	-	-	175.5	-	Pg11	88+97	-	-	-	-	-	-	-	-	-	16.7
MATRIX 5-5T6/2.2				-	-	458	198	151	209	-	-	199.5	-	Pg11	88+97	-	-	-	-	-	-	-	-	-	16.9
MATRIX 5-6T6/3	2			90	190	554	-	175	214	-	-	277.5	-	Pg13.5	117.5	125	155	30	140	170	9	22.4			
MATRIX 10-2T6/1.5M	1	1" 1/2	1" 1/4	-	-	429	202	118	-	226	112	170.5	M20x1.5	-	92+101	-	-	-	-	-	-	-	14.8		
MATRIX 10-2T6/1.5				-	-	429	202	118	209	-	-	170.5	-	Pg11	92+101	-	-	-	-	-	-	-	-	16.5	
MATRIX 10-3T6/2.2				-	-	429	202	118	209	-	-	170.5	-	Pg11	92+101	-	-	-	-	-	-	-	-	-	16.3
MATRIX 10-4T6/3				90	190	531	-	148	214	-	-	254.5	-	Pg13.5	121.5	125	155	30	140	170	9	22.7			
MATRIX 10-5T6/4	2			100	200	574	-	178	241	-	-	274	-	Pg16	111	140	170	35	160	192	11	26.2			
MATRIX 18-2T6/3	2	2"	1" 1/2	90	190	527	-	141	214	-	-	250.5	-	Pg13.5	124.5	125	155	30	140	170	9	21.6			
MATRIX 18-3T6/4				100	200	540	-	141	241	-	-	240	-	Pg16	114	140	170	35	160	192	11	25.4			

PACKING



Pump Type	Packing [mm]			Weight [kgf]
	X	Y	Z	
MATRIX 3-2T6/0.65M	192	228	432	10.4
MATRIX 3-2T6/0.65	192	228	432	10.3
MATRIX 3-3T6/0.9	192	228	432	13
MATRIX 5-2T6/0.9	192	228	432	12,9
MATRIX 5-3T6/1.3	192	228	432	14.4
MATRIX 3-3T6/0.9M	222	258	562	12.5
MATRIX 3-4T6/1.3M	222	258	562	15.5
MATRIX 3-4T6/1.3	222	258	562	15.2
MATRIX 3-5T6/1.5M	222	258	562	16.8
MATRIX 3-5T6/1.5	222	258	562	18,6
MATRIX 3-6T6/2.2	222	258	562	19.1
MATRIX 5-2T6/0.9M	222	258	562	12.4
MATRIX 5-3T6/1.3M	222	258	562	14.8
MATRIX 5-4T6/2.2	222	258	562	17.5
MATRIX 5-5T6/2.2	222	258	562	17.7
MATRIX 10-2T6/1.5M	222	258	562	15.6
MATRIX 10-2T6/1.5	222	258	562	17,3
MATRIX 10-3T6/2.2	222	258	562	17.1
MATRIX 10-4T6/3	222	258	562	23,5
MATRIX 18-2T6/3	222	258	562	22,4
MATRIX 5-6T6/3	222	258	672	23,2
MATRIX 10-5T6/4	222	258	672	33,5
MATRIX 18-3T6/4	222	258	672	32,5

MOTOR DATA

Pump type		Power		Capacitor		Efficiency (% load)			Efficiency (% load)			Input		Full load current				Locked rotor current			
Single Phase	Three Phase	[kW]	[HP]	Single Phase		Three phase (380 V)			Three phase (460 V)			Single Phase	Three Phase	[A]			[A]				
				[μF]	[V]	50%	75%	100%	50%	75%	100%			Single Phase	Three Phase	220-230 V	220 V	380 V	460 V	220-230 V	220 V
MATRIX 3-2T6/0.65M	MATRIX 3-2T6/0.65	0.65	0.9	14	450	-	-	-	-	-	-	0.97	0.90	4.7	2.8	1.6	1.5	23.2	16.1	9.3	11.3
MATRIX 3-3T6/0.9M	MATRIX 3-3T6/0.9	0.9	1.2	25	450	80.7	82.3	81.5	77.9	81.7	82.7	1.34	1.50	6.3	3.8	2.2	2.2	30.6	28.8	16.6	19.1
MATRIX 3-4T6/1.3M	MATRIX 3-4T6/1.3	1.3	1.8	35	450	78.3	80.4	81.0	76.5	81.3	83.4	1.70	2.00	7.7	5.7	3.3	2.9	55.0	38.8	22.4	27.1
MATRIX 3-5T6/1.5M	MATRIX 3-5T6/1.5	1.5	2.0	35	450	82.4	83.0	82.2	79.5	82.9	83.8	1.88	2.90	8.7	8.1	4.7	4.3	69.0	54.4	31.4	38.0
-	MATRIX 3-6T6/2.2	2.2	3.0	-	-	82.4	83.0	82.2	79.5	82.9	83.8	-	2.90	-	8.1	4.7	4.3	-	54.4	31.4	38.0
MATRIX 5-2T6/0.9M	MATRIX 5-2T6/0.9	0.9	1.2	25	450	80.7	82.3	81.5	77.9	81.7	82.7	1.34	1.50	6.3	3.8	2.2	2.2	30.6	28.8	16.6	19.1
MATRIX 5-3T6/1.3M	MATRIX 5-3T6/1.3	1.3	1.8	35	450	78.3	80.4	81.0	76.5	81.3	83.4	1.70	2.00	7.7	5.7	3.3	2.9	55.0	38.8	22.4	27.1
-	MATRIX 5-4T6/2.2	2.2	3.0	-	-	82.4	83.0	82.2	79.5	82.9	83.8	-	2.90	-	8.1	4.7	4.3	-	54.4	31.4	38.0
-	MATRIX 5-5T6/2.2	2.2	3.0	-	-	82.4	83.0	82.2	79.5	82.9	83.8	-	2.90	-	8.1	4.7	4.3	-	54.4	31.4	38.0
-	MATRIX 5-6T6/3	3.0	4.0	-	-	84.0	85.9	85.2	80.2	83.5	84.6	-	3.90	-	10.5	6.1	5.6	-	92.1	53.2	57.0
MATRIX 10-2T6/1.5M	MATRIX 10-2T6/1.5	1.5	2.0	35	450	82.4	83.0	82.2	79.5	82.9	83.8	1.88	2.90	8.7	8.1	4.7	4.3	69.0	54.4	31.4	38.0
-	MATRIX 10-3T6/2.2	2.2	3.0	-	-	82.4	83.0	82.2	79.5	82.9	83.8	-	2.90	-	8.1	4.7	4.3	-	54.4	31.4	38.0
-	MATRIX 10-4T6/3	3.0	4.0	-	-	84.0	85.9	85.2	80.2	83.5	84.6	-	3.90	-	10.5	6.1	5.6	-	92.1	53.2	57.0
-	MATRIX 10-5T6/4	4.0	5.5	-	-	83.2	85.8	86.1	81.0	85.1	86.7	-	5.10	-	14.7	8.5	8.0	-	108.8	62.8	76.0
-	MATRIX 18-2T6/3	3.0	4.0	-	-	84.0	85.9	85.2	80.2	83.5	84.6	-	3.90	-	10.5	6.1	5.6	-	92.1	53.2	57.0
-	MATRIX 18-3T6/4	4.0	5.5	-	-	83.2	85.8	86.1	81.0	85.1	86.7	-	5.10	-	14.7	8.5	8.0	-	108.8	62.8	76.0

NOISE DATA

Pump type		Power		LpA-dB(A)*
Single Phase	Three Phase	[kW]	[HP]	
MATRIX 3-2T6/0.65M	MATRIX 3-2T6/0.65	0.65	0.9	65
MATRIX 3-3T6/0.9M	MATRIX 3-3T6/0.9	0.9	1.2	
MATRIX 3-4T6/1.3M	MATRIX 3-4T6/1.3	1.3	1.8	
MATRIX 3-5T6/1.5M	MATRIX 3-5T6/1.5	1.5	2.0	68
-	MATRIX 3-6T6/2.2	2.2	3.0	
MATRIX 5-2T6/0.9M	MATRIX 5-2T6/0.9	0.9	1.2	65
MATRIX 5-3T6/1.3M	MATRIX 5-3T6/1.3	1.3	1.8	
-	MATRIX 5-4T6/2.2	2.2	3.0	69
-	MATRIX 5-5T6/2.2	2.2	3.0	
-	MATRIX 5-6T6/3	3.0	4.0	
MATRIX 10-2T6/1.5M	MATRIX 10-2T6/1.5	1.5	2.0	68
-	MATRIX 10-3T6/2.2	2.2	3.0	
-	MATRIX 10-4T6/3	3.0	4.0	72
-	MATRIX 10-5T6/4	4.0	5.5	
-	MATRIX 18-2T6/3	3.0	4.0	72
-	MATRIX 18-3T6/4	4.0	5.5	

*Mean value of several measures at 1 m distance around the pump.

Tolerance ± 2.5 dB.